

PART II

REVISED REGULATIONS OF SASKATCHEWAN

CHAPTER D-12.11 REG 2

The Department of Economic Development Act, 1993

Section 16

Order in Council 722/95, dated September 12, 1995

(Filed September 13, 1995)

PART I

Short title and Interpretation

Title

1 These regulations may be cited as *The Northern Economic Development Regulations*.

Interpretation

2 In these regulations:

- (a) “**community-based regional economic development organization**”, or “**CREDO**”, means an organization that has as its purpose the furthering of economic development in northern Saskatchewan;
- (b) “**eligible applicant**” means an eligible applicant pursuant to section 3;
- (c) “**eligible project**” means a project located in northern Saskatchewan that meets the requirements set out in section 4;
- (d) “**financial assistance**” means financial assistance by way of loan or grant pursuant to these regulations;
- (e) “**First Nations organization**” means any corporation consisting exclusively of Indian bands or members of Indian bands that maintains an office in northern Saskatchewan;
- (f) “**Indian band**” means an Indian band within the meaning of the *Indian Act* (Canada) that is located within northern Saskatchewan, and includes the council of the band;
- (g) “**local government**” means a town, northern village, northern hamlet or northern settlement as defined in *The Northern Municipalities Act*;
- (h) “**Northern Review Board**” means the Northern Review Board established by the Lieutenant Governor in Council under the authority of *The Department of Economic Development Act, 1993*;
- (i) “**northern Saskatchewan**” means the area comprising the Northern Administration District continued pursuant to *The Northern Municipalities Act*, and includes the local governments located within that area;
- (j) “**operating costs**” means any costs, except capital costs, that are incurred to earn revenue after the first day that any revenue is earned;
- (k) “**pre-operating costs**” means any costs, except capital costs, that are incurred prior to the day that any revenue is earned;

- (l) “**project**” means a proposal to commence, continue, expand or diversify economic development activity in northern Saskatchewan.

PART II
Loans and Grants

Eligible applicants

3 The following are eligible applicants:

- (a) an individual who:
 - (i) is legally entitled to remain in Canada;
 - (ii) has resided in northern Saskatchewan for at least 10 years or one-half of his or her life, whichever is less; and
 - (iii) immediately prior to receiving any assistance, has maintained his or her primary residence in northern Saskatchewan;
- (b) a corporation or partnership:
 - (i) more than half of which is owned by persons described in clause (a) who reside in northern Saskatchewan;
 - (ii) a majority of whose employees reside in northern Saskatchewan; and
 - (iii) that maintains an office in northern Saskatchewan;
- (c) a local government, Indian band or First Nations organization.

Eligible projects

4(1) The following are eligible projects for financial assistance by way of grant:

- (a) projects involving applied research and development of northern products and services;
- (b) pilot or demonstration projects for new economic development or business activities;
- (c) projects involving opportunity identification and development;
- (d) projects involving new market promotional material;
- (e) projects involving the preparation of bids and proposals for northern economic development opportunities and special events, but only to the extent of the professional costs related to those projects;
- (f) projects related to the establishment of new joint ventures, but only to the extent of the professional costs related to those projects.

(2) The following are eligible projects for financial assistance by way of loan:

- (a) projects involving the provision by a business of goods and services relating to mining or other resource sector development;
- (b) projects involving the provision by a business of products or services that contribute to the diversification of the northern Saskatchewan economy;

- (c) projects involving retail or service opportunities that the minister considers to be essential to communities in northern Saskatchewan;
- (d) projects involving traditional northern Saskatchewan production activities.

Application

5 An applicant who wishes to apply for a loan or a grant shall:

- (a) apply in a form acceptable to the minister; and
- (b) provide the minister with any information that the minister requires to determine whether the applicant is an eligible applicant and whether the project is an eligible project that meets the requirements set out in these regulations.

Northern Review Board

6(1) Before conditionally approving an application for a loan or grant pursuant to this Part, the minister:

- (a) may request a recommendation from the Northern Review Board if the application is for a total amount of \$25,000 or less;
- (b) shall request a recommendation from the Northern Review Board if the application is for a total amount greater than \$25,000.

(2) An applicant who has applied to the minister for a loan or grant in a total amount of \$25,000 or less and whose application is initially declined by the minister may apply to the Northern Review Board to make a recommendation to the minister.

(3) In a recommendation, the Northern Review Board may give its opinion as to:

- (a) whether the applicant and the project meet the requirements set out in these regulations;
- (b) what reasonable terms and conditions, consistent with *The Department of Economic Development Act, 1993* and these regulations, should be attached to the loan or grant.

(4) No recommendation of the Northern Review Board is binding on the minister.

Conditional approval

7 The minister may conditionally approve financial assistance by way of loan or grant for an applicant if the minister is satisfied that:

- (a) the applicant has complied with these regulations and is:
 - (i) an eligible applicant;
 - (ii) capable of implementing and operating the project; and
- (b) the project for which the application is made:
 - (i) is an eligible project;
 - (ii) complies with these regulations; and
 - (iii) is likely to be of significant economic benefit to northern Saskatchewan.

Letter of offer

8 Where the minister gives a conditional approval pursuant to section 7, the minister shall send the applicant a letter of offer setting out:

- (a) the amount of financial assistance that the minister is prepared to provide to the applicant if the applicant enters into an agreement pursuant to section 9; and
- (b) the terms and conditions.

Agreement

9 An eligible applicant who intends to proceed with a project that has been conditionally approved shall enter into an agreement with the minister incorporating:

- (a) the terms and conditions set out in the letter of offer sent to the applicant; and
- (b) any other reasonable terms and conditions consistent with *The Department of Economic Development Act, 1993* and these regulations.

Restrictions on loans

10(1) The maximum term of a loan is 10 years.

(2) The amount of the loan is not to exceed an amount that results in the eligible applicant's total indebtedness to the Crown in right of Saskatchewan pursuant to any program administered by the Department of Economic Development equalling \$250,000.

(3) The rate of interest on a loan is to be the rate established by the minister.

(4) The total indebtedness outstanding to the Crown in right of Saskatchewan in loans made pursuant to this Part is not to exceed \$16,000,000.

Restrictions on grants

11(1) The maximum amount of a grant is an amount equal to 70% of the total costs of an eligible project.

(2) An eligible applicant is not to receive more than \$25,000 in grants in any one fiscal year of the Government of Saskatchewan.

(3) For the purposes of subsection (1), "**total costs**" of an eligible project include pre-operating costs, operating costs and capital as estimated by the minister.

Payment

12(1) No part of a loan or grant authorized pursuant to this Part is payable to or on behalf of an eligible applicant until the minister is satisfied that:

- (a) the eligible project meets the requirements of government authorities having jurisdiction over the project or the eligible applicant;
- (b) the eligible applicant has the right to occupy and use the land required for the eligible project;
- (c) the eligible applicant has obtained or has made the necessary arrangements to obtain the goods and services required to begin the eligible project;

- (d) the eligible applicant has made or will make an equity contribution towards the project in the form of cash, unencumbered assets or directly related physical labour contributed by the applicant as approved by the minister, in an amount of not less than 10% of the total cost of the project;
 - (e) in the case of a project that is located on an Indian reserve:
 - (i) there is a band council resolution that allows the eligible applicant to undertake the project; and
 - (ii) there is a band council resolution that allows the Crown in right of Saskatchewan access onto the reserve to remove, if necessary, non-fixed collateral; and
 - (f) the applicant has provided any financial information and evidence of expenditures requested by the minister.
- (2) In the case of a grant, where the minister is satisfied that the applicant has complied with the terms and conditions of the agreement and these regulations, the minister may pay the applicant:
- (a) in the case of a project that has been completed, the total amount of the financial assistance specified in the agreement;
 - (b) in the case of a project that has not been completed, not more than 90% of the total amount of the financial assistance specified in the agreement.
- (3) Where a payment has been made to an applicant pursuant to clause (2)(b), the minister may pay the balance of the financial assistance specified in the agreement on completion of the eligible project.

PART III CREDOS

Interpretation

13 In this Part:

- (a) **“eligible CREDO”** means a community-based regional economic development organization that meets the following requirements:
 - (i) it must be a corporation;
 - (ii) it must have a signed six-year agreement between the members or shareholders setting out any terms and conditions required by the members or shareholders and the minister;
 - (iii) its members or shareholders must each meet the requirements set out in section 3;
 - (iv) it must have at least one member or shareholder that is a northern municipality within the meaning of *The Northern Municipalities Act*;
 - (v) it must comply with any other reasonable requirements set out by the minister;
- (b) **“eligible expenses”** mean eligible expenses as determined by the minister.

Application

14 A CREDO that wishes to apply for financial assistance:

- (a) shall apply in a form acceptable to the minister; and
- (b) provide the minister with any information that the minister requires to determine if the CREDO is an eligible CREDO.

Financial assistance

15 The minister may provide financial assistance by way of grant to an eligible CREDO.

Amount of grant

16 The maximum amount of financial assistance payable to an eligible CREDO is:

- (a) 75% of eligible expenses, to a maximum of \$45,000 per year, for the first four years covered by the agreement mentioned in subclause 13(a)(ii);
- (b) 50% of eligible expenses, to a maximum of \$30,000, for the fifth year covered by the agreement mentioned in subclause 13(a)(ii); and
- (c) 25% of eligible expenses, to a maximum of \$20,000, for the sixth year covered by the agreement mentioned in subclause 13(a)(ii).

CREDO records

17(1) Each community-based regional economic development organization that receives financial assistance pursuant to this Part shall provide reports to the minister in a form acceptable to the minister and at the times required by the minister.

(2) Each community-based regional economic development organization that receives financial assistance pursuant to this Part shall keep proper books and records of its costs and performance in a manner that is satisfactory to the minister.

(3) The books and records maintained by a community-based regional economic development organization pursuant to this section are subject at all reasonable times to examination or audit by the minister.

Advances

18 If the minister is satisfied that an eligible CREDO has complied with this Part, the minister may pay the CREDO up to six months' eligible expenses in advance, based on the budget provided by the CREDO, if the minister is satisfied that all reporting requirements set out in section 17 have been complied with.

**PART IV
General**

Effect of misleading information

19 If financial assistance has been provided to any person or organization on the basis of false or misleading information, the entire amount of the financial assistance is deemed to be an overpayment and is repayable at the request of the minister.

Sale

20 If any recipient of financial assistance proposes to dispose of the assets or goodwill of a project with respect to which financial assistance is given:

- (a) the recipient shall inform the minister in writing of the proposal; and
- (b) the minister may require repayment of all or part of the amount of the financial assistance.

Recovery of overpayment

21(1) Every person or organization who has received financial assistance and who has failed to comply with these regulations or with the agreement to which that person's or organization's financial assistance is subject is deemed to have received an overpayment in the amount of the assistance received by the person or organization.

(2) Where the minister has made a determination pursuant to section 19, or for any reason a person or organization has received an overpayment of the financial assistance to which the applicant is entitled, the amount of the overpayment is a debt due to the Crown in right of Saskatchewan.

(3) An overpayment is to be repaid in accordance with any terms and conditions respecting overpayments that may be contained in the agreement respecting the financial assistance that was overpaid.

(4) An overpayment, in addition to any other manner in which it may be recovered, may be recovered by deducting the amount of the overpayment from any grants, financial assistance or tax credits to which the recipient of the overpayment would otherwise be entitled pursuant to any other program, Act or regulation of Saskatchewan providing for payments to the applicant.

Minister may delegate

22(1) The minister may delegate the exercise of the minister's powers or the fulfilment of the minister's responsibilities pursuant to these regulations to any officer or employee of the department.

(2) The exercise of a power or the fulfilment of a responsibility of the minister by the person to whom it is delegated pursuant to subsection (1) is deemed to be an exercise or a fulfilment by the minister.

**PART V
Coming into Force**

Coming into force

23 These regulations come into force on the day on which they are filed with the Registrar of Regulations.

CHAPTER E-6.3 REG 3

The Electrical Inspection Act, 1993

Section 5

Minister's Order dated August 1, 1995

(Filed September 7, 1995)

Title

1 These regulations may be cited as *The Canadian Electrical Code (Saskatchewan Amendments) Regulations, 1995*.

Canadian Electrical Code amended

2 Part I of the latest prescribed edition of the *Canadian Electrical Code*, being Canadian Standards Association standard C22.1-1994, is amended in the manner set forth in the Appendix.

Repeal

3(1) *The Canadian Electrical Code (Saskatchewan Amendments) Regulations, 1991*, being chapter E-6.2 Reg 2 of *The Revised Regulations of Saskatchewan*, are repealed.

(2) *The Canadian Electrical Code (Saskatchewan Amendments) Regulations*, being chapter E-7.1 Reg 3 of *The Revised Regulations of Saskatchewan*, are repealed.

Coming into force

4(1) Subject to subsection (2), these regulations come into force on the day on which *The Canadian Electrical Code (Adoption) Regulations, 1995* come into force.

(2) If *The Canadian Electrical Code (Adoption) Regulations, 1995* come into force before these regulations are filed with the Registrar of Regulations, these regulations come into force on the day on which they are filed with the Registrar of Regulations.

APPENDIX
PREFACE AND SCOPE

The Canadian Electrical code, Seventeenth Edition, as supplemented and amended by these requirements, issued under Section 5 of *The Electrical Inspection Act, 1993*, shall govern the workmanship and all other matters whatever pertaining to electrical equipment and the installation of electrical equipment in or upon any land, buildings, structures and premises. It contains supplementary and amendatory requirements which by their inclusion herein are adopted as requirements under Section 5 of *The Electrical Inspection Act, 1993*.

Section 0: Definitions

Section 0 is supplemented by the following:

Grade Level means the level of earth surrounding a building, and in cases where the electrical installation is performed before the building is back-filled, shall be considered as that level 50 mm below the basement windows, other than those in window wells, or 150 mm below siding, or stucco line on basementless homes.

Kiosk means an enclosure of steel or a combination of masonry and steel and which may be partly buried and within which may be installed a standard oil-filled transformer and protective equipment.

Pad-mounted transformer means a transformer consisting of compartmented steel enclosure with space for standard oil-filled transformer, high-voltage protective and switching equipment and low-voltage feeder connections or distribution transformers of special design to which compartmented enclosures can be attached, all of such equipment designed to be mounted on a concrete or fibreglass pad of suitable dimensions on grade.

Rural Area means an area outside of the limits of any hamlet, village, town or city.

Service Factor means a multiplier which, when applied to the rated horsepower of an AC motor, the rated armature current of a DC motor, or to the rated output of a generator, indicates a permissible loading which may be carried continuously at rated voltage and frequency.

Service Stack means that portion of service conductors including raceway, armour or sheathing, between the point of attachment to the service supply and the consumers service box or equivalent service equipment.

Shallow Box means an outlet box with a depth less than 1 1/2 inches and a minimum depth of 1/2 inch.

Tamperproof as applied to pad-mounted transformers and kiosks, means that live parts cannot be contacted by inserting through any openings, wire and other foreign objects, nor can access to the unit be gained by the use of common tools. Such units will not have any covers or doors which can be opened by the removal of externally accessible bolts or hinge pins and such access doors as are provided have adequate provision for padlocking. In addition, such equipment has no external means for operation of switching equipment nor will it have any glass-viewing windows.

Temporary Wiring means a wiring installation to be utilized for a period not exceeding 90 days, unless otherwise stipulated.

Section 2: General Rules

2-010 Posting of Permit

Rule 2-010 is deleted.

2-014 Plans for High-Voltage Installations

Rule 2-014 is deleted and the following substituted.

Plans for high-voltage installations shall be submitted for examination **and review** and shall contain the following data:

(1) Schematic (One-Line Diagram)

This is a diagram which indicates by means of single lines and simplified symbols the sequence of component devices or parts of an electric circuit or system of circuits and should indicate:

- (a) All voltages of the proposed installation.
- (b) Transformer-bank capacity, rating, impedance, type of cooling, etc.
- (c) Primary and secondary protective and switching devices and their short-circuit capacity and rating.
- (d) Where additions or alterations are being made, clearly distinguished from existing or unchanged portions of the installation.

(2) **Site Plan**

This should indicate the location of the station, relative to buildings, structures, roads, property lines and equipment not associated with the station and the route of supply, if possible.

(3) **Electrical Arrangement**

This portion of the plan must provide the following data:

- (a) Plan, elevation and profile views of the electrical and physical arrangement of the equipment.
- (b) Dimensions to clearly indicate the electrical physical and work clearances and relative locations of the equipment.
- (c) Fencing arrangement where required on outdoor substations.
- (d) Details of vault construction where required in indoor installations.
- (e) Grounding details.
- (f) Interlocking arrangements and an explanation of the sequence of operation.
- (g) A Bill of Material properly referenced to the drawings.
- (h) Provisions made for metering equipment where required.
- (i) Manufacturers drawings of tower structures, power transformer and of metalclad switchgear, showing the internal arrangement of equipment, means of access and provisions for personnel safety. Except in special cases, manufacturers drawings of other equipment will not be required.
- (j) Copy of Electrical Specifications

(4) One copy of all plans and specifications shall be submitted for examination **prior to construction**, and the submitter will receive a report on the proposed installation.

(5) **All plans must be submitted before service connection is authorized.**

2-015 Plans for Low Voltage Installations (See Appendix B)

Rule 2-015 is added.

Plans and specifications for installations as **required by** Section 19 of the Act shall be submitted where ampacities exceed 200 Amps or voltages exceed 300 V, and in hazardous locations, **other than** service stations or oil wells, and shall contain the following:

- (1) calculated loads;
- (2) main and feeder sizes; and
- (3) maximum short circuit current available at each point of application of protective devices in installations exceeding 600 amperes.
- (4) a schematic (one-line diagram) indicating all voltages of the proposed installation.
- (5) One copy of all plans and specifications shall be submitted for examination **prior to construction**, and the submitter will receive a report on the proposed installation.

2-021 Removal of Substandard Equipment

Rule 2-021 is added.

All dead or disused conductors and equipment which do not conform to present requirements shall either be removed from the building, where exposed, or otherwise rendered useless for electrical purposes, to the satisfaction of the Inspector.

2-028 Availability of Work for Inspection

Rule 2-028 is amended as follows:

An inspector may post a notice requiring that an electrical installation not be rendered inaccessible by sheathing of walls or backfilling of trenches, and concealment of such wiring shall only be done after it has been approved.

2-031 Deviation or Postponement

Rule 2-031 is added.

Request for special permission shall be made in writing, in duplicate, giving all details pertaining to the requests; if acceptable, permission applying to the particular installation will be confirmed in writing.

2-033 Lightning Protection

Rule 2-033 is added.

Installation of systems for the protection of buildings and other structures from lightning damage shall comply with CAN/CSA B72-M 87 Installation Code for Lightning Protection Systems.

2-203 Cables Awaiting Utilization Equipment

Rule 2-203 is added.

Where utilization equipment is not available for connection, the circuits shall be terminated in a junction box complete with cover.

2-322 Electrical Equipment Near Gas Meters

Rule 2-322 is deleted and the following substituted:

Electric meters, receptacles, and other arc producing electrical equipment shall not be installed within a **900 mm** of a meter or pressure regulator used to measure or regulate natural gas, manufactured gas, or liquefied petroleum gases which are distributed in a gaseous state.

2-400(4) Weatherproof Enclosure Terminations

2-400(4) added as follows:

Raceways or cables shall not enter a weatherproof enclosure, unless the enclosure is provided with an **approved** weatherproof fitting for termination.

Section 4: Conductors

4-005 Conductors Exposed to High Temperatures

Rule 4-005 is added.

(1) Conductors in raceways located on roofs directly exposed to the sun shall be deemed to have an ambient temperature of 50 degrees C.

(2) Conductors in cables placed above thermal insulation in unventilated attic spaces shall be considered as being exposed to not less than 50 degrees C.

(3) Subrule (2) pertains to high ambient conditions in unventilated attic spaces. It is to be noted that natural ventilation is not mentioned. A ventilated attic space means a mechanical ventilation and thermostatically controlled system is in place to maintain an inexcessive ambient temperature in an attic space.

4-022 Size of Neutral Conductor

Rule 4-022 is supplemented as follows:

(5) For residential services without electric heat loads, the size of neutral conductor shall be not less than two trade sizes smaller than the ungrounded conductors and not less than #8 Cu. or #6 Al.

4-036 Colour of Conductors

Rule 4-036 is supplemented as follows:

(6) No 240 volt single-phase load from a 4 wire Delta connected system shall be connected to:

- (a) the red colored phase-A, or**
- (b) from a three phase panel.**

Section 6: Low-potential Services

6-111 Renewal of Services

Rule 6-111 is added.

(1) Where a building is relocated, or where additional loading exceeds the capacity of the service in an existing structure, adequate alterations shall be made to the existing substandard service, or a new service entrance of adequate capacity shall be installed to replace the substandard service.

(2) Where a permit is required for connection or re-connection of an electric service, the electrical service shall be made to comply with the requirements of the current Canadian Electrical Code.

6-115 Service Splitter

Rule 6-115 is added.

Where an outdoor splitter is required for connection of utility conductors to consumer service conductors the following shall apply:

(1) Splitter boxes shall be constructed of code gauge steel and shall be CSA approved for outdoor use (**TYPE 3R**) with covers secured by bolts or non-slotted screws.

(2) If locking provisions are furnished, such provisions must be for padlocking only, with keyed handles strictly prohibited.

(3) The boxes shall contain the required number of terminal blocks or connectors to accommodate termination of the utility service cables.

(4) Terminals and duct openings into the splitter box shall be arranged to allow for a bending radius of not less than 180 mm for the utility cables.

(5) The bottom of the box shall be mounted a minimum height of 0.6 m from grade level, and the top shall not extend beyond a maximum height of 1.8 m from grade level.

(6) The dimensions of the enclosures shall be in accordance with those for instrument transformer enclosures as specified **by the supply authority**.

6-200 Service Equipment

Rule 6-200 is supplemented as follows:

~~(4) Where a panelboard can employ more than two single-pole breakers, one two-pole breaker, or one three-pole breaker they shall be installed in an approved assembly on the load side of a main fused switch or breaker.~~

~~(5) A single phase meter socket rated at 400 Amps or less with dual wire connectors on the load side shall be permitted to have two subdivisions made in the meter socket provided such subdivisions are not contained in the same building.~~

6-206 Consumers Service Equipment Location

Rule 6-206(1) is supplemented as follows:

(f) within 6 **conduit** meters of the point where the service conductors enter the building provided such conductors are in rigid conduit, EMT, metal armour, or metal sheathing.

(g) Service boxes or combination service and panelboards shall not be recessed in walls containing thermal insulation.

6-300 Underground Consumers Services

Subrule (1) is deleted and the following substituted therefor:

(1) Consumer service conductors run underground from an underground supply system or from a pole shall be:

(a) installed in rigid conduit and be of a type acceptable for use in wet locations as indicated in Table 19; or

(b) single and multi-conductor armoured cables, metallic sheathed cables or concentric neutral cables in accordance with Table 19 for service entrance use below ground providing that:

- (i) the installation is in accordance with rule 12-012, and
- (ii) a rigid conduit is used for mechanical protection where portions of the cable are exposed to injury, and
- (iii) there is no splice or joint in the cable from the point of connection at the supply service to the point of connection at the service equipment in the building, and
- (iv) all cables are protected with a corrosion resistant outer covering in accordance with rule 2-112.
- (v) when USEB 90 cable is used as a subservice, a subservice switch and a ground electrode shall be required. **USEB 90 cable is not to be used as a sub-service feeder within the same building.**
- (vi) an additional conductor installed together with and alongside of a 3 conductor cable shall not be accepted for a 3 phase 4 wire installation and only a 4 conductor cable shall be permitted.

6-302 Consumers Service Conductors

Subrule 1(k) is added as follows:

- (k) Liquid-tight flexible conduit in short lengths, where flexibility is required, or protection from liquids, vapours or solids is necessary.

6-308 Bare Neutral Service Conductors

Rule 6-308 is extended as follows:

- (2) **The bare neutral conductor must be terminated in the main service disconnect.**
- (3) The neutral conductor in an underground service to any type of premises shall not be bare or unjacketed when directly buried in the earth.

6-312 Condensation in Service Conduit

Subrule (1) is deleted and the following substituted therefor:

- (1) Service conduit or the equivalent shall be effectively drained outdoors and sealed with **an electrically approved duct sealant.**

Section 8: Demand Factors

8-106 Use of Demand Factors

Subrule (4) is deleted and the following substituted therefor:

- (4) Where it is known the electric space heating, car plug heating loads and air conditioning loads will not be used simultaneously, whichever is the greater load shall be used in calculating the demand.

8-202 Apartments

Rule 8-202 is supplemented as follows:

(5) Notwithstanding subrule (1), an **existing** residential unit with only one or two rooms, that is equipped with a range, may have service feeder conductors rated at not less than 40 amperes.

Section 10: Grounding

10-204 Grounding Connections for Alternating-Current Systems

Paragraph (b) of subrule 10-204(1) is supplemented as follows:

NOTE: The term "another device specifically intended for the purpose located in the grounding circuit" refers to tingle voltage filter or similar devices.

10-302 See Diagram 27 for assistance in conductor enclosure bonding.

10-406 Non Electrical Equipment

Subrule (4) is deleted and the following substituted therefor:

(4) All metallic gas piping shall be made electrically continuous and shall be bonded in accordance with the requirements of subrule (2).

10-606 See Diagram 27 for assistance in bonding of service conductors.

10-702 Artificial Electrodes

Subrule (3) of Rule 10-702 is supplemented as follows:

(f) be galvanized or provided with other corrosion resisting cladding.

Rule 10-702 is extended as follows:

(7) A driven electrode, which must protrude 150 mm above grade for accessibility of the connection, shall be bent towards the building or pole to which it is adjacent.

(8) Additional electrodes, as required by rule 10-702 may be buried completely below grade.

10-808 Equipment Bonding Conductors

Rule 10-808 is supplemented as follows:

(8) Aluminum shall not be used for an equipment **bonding** conductor where corrosion may occur, as at buried electrodes or at water pipes.

Section 12: Wiring Methods

12-012 Conductors Buried in Earth

Subrule (4) is deleted and the following substituted therefor:

(4) Direct buried conductors or cables shall be installed so that they run adjacent to each other and do not cross over each other and covered with a layer of earth free of particles larger than 6 mm, to a depth of 75 mm below and above the conductors.

Subrule **(13)** of Rule 12-012 is supplemented as follows:

(13) Underground cable, or conductors installed under a building shall be in a raceway that extends beyond the outside walls of the building.

12-013 Burial of Conductors in Proximity to Gas Lines

(1) No electrical wiring shall be installed within 600 mm of a utility natural gas service.

(2) Electrical wiring may be installed in the same trench as customer-owned propane or natural gas lines provided the conductors are placed at a greater depth and a separation of at least 300 mm of earth or 150 mm if a treated plank is installed between the piping and conductor.

12-021 Nylon Cable Ties

Rule 12-021 is added:

The use of nylon cable ties will be allowed only when they properly support cables in an approved manner.

12-200 Open Wiring Rules

Rule 12-200 is extended as follows:

In all new indoor installations no open wiring shall be installed except by special permission.

12-318 Use of Neutral-Supported Cables (See Appendix D-15 for Sag Table)

Clause (e) is deleted and the following substituted therefor:

- (e) Where dead-ended, the messenger of the neutral-supported cable shall:
 - (i) be anchored, by means of **an approved** anchoring device, to a bolted hook, bolted insulator, or bolted bracket with eye; and
 - (ii) be provided with a tail for the connection thereto of the neutral conductor.

12-1118

Rule 12-1118 is amended as follows;

A minimum of one expansion joint shall be installed for every 12 lineal meters of conduit in a run.

12-3026 See Diagram 27 for assistance in terminating to avoid heating when single conductor cables enter a metal box.

Section 14: Protection & Control

14-501 Mounting Height of Switches and Circuit Breakers

Rule 14-501 is added.

Except as provided by rule 26-442(2) Switches and circuit breakers shall be so installed that the centre of the grip of the operating handle when in its highest position will not be more than 2 m above the floor or working platform.

Section 18: Hazardous Locations

NOTE: See Diagram 26 for assistance with sealing in hazardous areas.

18-403 Line Grain Elevators, Farm Elevators, Seed Cleaning Plants and Feed Mills

Rule 18-403 is added as follows:

Line grain elevators, farm elevators, seed cleaning plants and feed mills shall be classified hazardous locations as shown in Diagram 11, 12 & 13.

18-405 Ammonia Compressor Rooms (see Appendix B)

Rule 18-405 is added as follows:

When ammonia is used in a refrigerant system the room shall be considered Class 1, Div 2 hazardous location unless the room is constructed to Class T machinery room as specified in CSA Standard B52-95 Mechanical Refrigeration Code.

Section 20: Flammable Liquid Dispensing and Service Stations, Garages, Bulk Storage Plants, Finishing Processes, and Aircraft Hangars

20-004 Rule 20-004 is supplemented as follows: (Refer to diagram 14 & 15 for area classification)

(11) Where above ground dispensing tanks (Enviro tanks) are installed an area of 1.5 m around the storage tank and an area of 450 mm above grade extending 6 m in all directions from the tank shall be classified as Class 1 Division 2.

20-035 Rule 20-035 is added as follows:

Domestic heating propane tanks shall meet the requirements of Table 63 Part J.

20-102 Diagram 16 is included to assist in determining hazardous area classification in commercial garages and repair shops.

Bulk Storage Plants

20-301 Anhydrous Ammonia Plants

Rule 20-301 is added.

Anhydrous ammonia distribution or bulk storage plants shall be wired in accordance with Rules 20-302 to 20-312 and the Boiler and Pressure Vessel Act and current Regulations 361-77 and 1983 amendments.

20-302 Diagrams 17 & 18 are included to assist in determining hazardous area classification for flammable liquids bulk plants.

Finishing Processes

20-402 Diagram 19 is included to assist in determining hazardous area classification for finishing processes.

20-403 Fibreglass Finishing and Storage

Rule 20-403 is added.

Fibreglass manufacturing, finishing, or raw material storage areas shall be wired in accordance with Rules 20-400.

20-502 Diagram 20 is included to assist in determining hazardous area classifications for aircraft hangars.

Section 22: Wet & Corrosive Locations

22-700 Bulk Fertilizer Storage

Rule 22-700 is added.

(1) All equipment in ammonium nitrate bulk storage structures shall be considered as subject to corrosion from a combination of the fertilizer dust and moisture.

(2) Raceways shall be PVC or aluminum, with fittings and enclosure entries of such design as to not constitute dissimilar metals in contact with each other, and to exclude dust.

(3) Teck 90 cable shall be permitted to be installed in bulk fertilizer storage structures.

22-800 Sewage Lift & Treatment Plants

(1) Classification of such areas shall be as follows:

(a) Unless provided with adequate heating and ventilation, all below ground location suitably cut off from locations in which sewage gases are present, shall be deemed Category 1 locations.

(b) All locations in which sewage gases are present shall be deemed Category 2 locations.

(c) All locations suitably cut off from Category 2 locations and not classed as Category 1 may be considered ordinary locations.

(d) Locations not suitable cut off from a Category 2 location may be considered ordinary locations if provided with:

(i) ventilation such as will maintain a positive pressure therein, with clean air;

(ii) effective safeguards against ventilation failure.

(2) For purposes of this rule suitable cut off means an area cut off from another, with no communication such as by doors, windows, grills or similar openings.

Section 26: Installation of Electrical Equipment

26-701 Receptacle Terminal Screws

Rule 26-701 is added.

(1) Unused terminal screws shall be done up tight.

(2) A maximum of 4 wires and a ground may be connected to a receptacle.

26-702 Receptacles in Residential Occupancies

Subrule (19) is deleted and the following substituted therefor:

(19) All receptacles installed outdoors of single-family dwellings and located within 2.5 m of ground or grade level **or raised platforms with access to ground**, shall be protected by a ground fault **interrupter** of Class A Type.

Subrule (25) is added as follows:

(25) Where receptacles are required for outdoor wheel chair lifts they must be a single locking receptacle connected to a separate circuit and must not be ground fault protected.

26-703 Automobile Heater Receptacles

Receptacles shall be installed with mechanical protection against damage by vehicles by one of the following or other equivalent means:

(a) Approved manufactured pedestals provided with mechanical protection.

(b) Where mechanical protection is not utilized, the receptacles and conduit shall be installed on structures of adequate strength, such as fences or walls, and the receptacles and conduit shall be installed not less than 750 mm above finished grade.

(c) A reinforced concrete post with a dimension of not less than 300 mm may be used, and shall be installed to a height of not less than 750 mm and a depth of not less than 750 mm. The receptacles and conduit shall be installed on the face of the post not exposed to vehicular damage. The receptacles may, if desired, be installed on the face of the post exposed to vehicles provided the conduit and outlet boxes are installed within the post. Mounting height of the receptacles shall not be less than 750 mm above finished grade.

(d) Conductors for wiring of these receptacles shall have an insulation or covering suitable for installation and use at temperatures down to minus 40 degrees C **except conductors approved for and used underground.**

26-954 Deep Well Submersible Pumps Installed in Wells

Paragraph (e) is added.

(e) Metal well casing shall be bonded to the equipment grounding means.

Section 30: Lighting

30-302 Supports

Rule 30-302 is supplemented as follows:

(5) Lighting fixtures installed in or on suspended ceilings shall be provided with supplementary means of support unless written confirmation is submitted to the effect that the suspended ceiling has been designed to support the additional weight of the fixtures.

Section 32: Fire Alarm Systems and Fire Pumps

32-110 Installation of Smoke Alarm Devices in Dwelling Units

Rule 32-110 is supplemented as follows:

(e) New construction of residential units shall be pre-wired at the time of construction to accommodate smoke alarms as required by the NBC plus one location in the basement, to be terminated in a junction box c/w cover plate and labelled.

32-204 Consumer's Service for Fire Pumps

Subrule (1) is deleted and the following substituted:

(1) When fire pump equipment is installed, a consumer service independent of the building consumer service is required.

Section 36: High-potential Installations

36-007 High-Voltage Substation Connections

Rule 36-007 is added.

High voltage substations shall not be connected to the Utility supply lines before a final inspection is made or approval for the connection is granted by the Inspections Dept.

Section 45: Stand-by Power Systems

45-000 Scope

Rule 45-000 is added.

(1) This section applies to stand-by systems installed to provide an alternative source of electrical energy to serve loads, such as heating and refrigeration systems, power outage, which could cause discomfort, serious interruption of the process, or damage to the product or process or the like.

(2) This section does not apply to the installation, operation, and maintenance of circuits, systems and equipment intended to supply on-site generated power to "selected loads", automatically or manually, in the event of failure of the normal source of electrical service.

(3) The systems covered by this section shall include those with provisions for plug-in of portable or transportable power source and prime mover combinations.

45-002 Other Requirements

Rule 45-002 is added.

All applicable requirements of this Code shall apply to the stand-by systems, except as amended by this section.

45-004 Controls and Transfer Equipment

Rule 45-004 is added.

(1) Equipment shall be suitable for intended use and be so designed and installed as to prevent the inadvertent interconnection of normal and standby sources of supply in any operation of the transfer equipment.

(2) A manual transfer means shall comprise a double-throw switch with required number of poles, or individual switches so interlocked as to prevent the interconnection of the two power sources.

(3) Mechanically interlocked fused switches shall not be used.

45-006 Systems Protection

Rule 45-006 is added.

Transfer equipment and wiring associated with the stand-by system shall be provided with suitably rated **thermal protection**.

45-008 Wiring

Rule 45-008 is added.

Stand-by system wiring is not subject to the provisions of Section 46, and wiring of such a system may occupy the same raceways, boxes, cabinets and panelboards with other wiring as permitted by Section 12, except that the wiring shall not occupy the same raceways, boxes or cabinets as wiring for emergency systems.

Section 52: Diagnostic Imaging Installations

52-013 Industrial and Laboratory Equipment

Rule 52-013 is added.

(1) All radiographic and fluoroscopic-type equipment shall be effectively enclosed or shall have interlocks that de-energize the equipment automatically to prevent ready access to live current-carrying parts.

(2) Diffraction and irradiation-type equipment shall be provided with a positive means to indicate when it is energized; the indicator shall be a pilot light, readable meter deflection, or equivalent means

(3) Equipment or installations in (2) above, which are effectively enclosed or provided with interlocks to prevent access to live current-carrying parts during operation, need not be provided with an indicating means.

Section 62: Fixed Electric Space and Surface Heating Systems

62-114 Overcurrent Protection and Grouping (see Appendix B)

62-214 Installation of Heating Panel and Heating Panel Sets

Rule 62-214 is supplemented as follows:

(13) Until such time as the appropriate standards have been revised, the following requirements will apply to flexible (thin sheet) radiant ceiling heating panel installations:

(i) Heating panels shall be certified and marked with a rating of 18 watts/ft² or less, and

(ii) The upper surface of the plasterboard in contact with the heating panels must not exceed 60 degrees C, and

(iii) Heating panels must pass the abnormality test of CSA Standard C22.2 No. 217-M89 and the results must not exceed a temperature of 90 degrees C, and

(iv) Full compliance with the manufacturers' installation practices, including the installation of building materials, must be verified in writing by a manufacturer's representative to the Electrical Inspection Department, and

(v) Manufacturers of heating panels must have a letter on file in the office of the Chief Electrical Inspector of SaskPower confirming their product complies with these requirements. and

(vi) Installation will only be permitted by licensed electrical contractors.

**Section 68: Swimming Pools, Therapeutic Pools
and Hydromassage Bathtubs**

68-300 Protection

Rule 68-300 is deleted and the following substituted therefor:

All permanently wired therapeutic pools or hydromassage bathtubs and their associated electrical components shall be protected by a ground fault circuit interrupter of the Class A Type, fed by a dedicated circuit serving no other equipment.

68-401 Protection

Rule 68-401 is added:

68-401 Refer to 68-068 for protection of spas and hot tubs.

Section 90: Oil-Gas Field Installations

Section 90 is added

90-000 Scope

(1) This section applies to electrical equipment used in the search for or transmission or production of oil, natural gas and related hydrocarbons.

(2) This section does not apply to electrical equipment used in

(a) petroleum refineries, or

(b) gas pipeline systems operated at a pressure of 700 kpa or less, unless the gas pipeline system is part of a wellhead or gathering facility or scheme.

(3) These requirements shall be considered to be additional to or amendatory of the requirements in the Canadian electrical Code.

90-002 Definition

(1) Totally-enclosed, gasketed means so enclosed that **transient vapour** does not enter the enclosure. This includes material with threaded hubs or approved tech connectors with sealing rings. This wiring method shall be used in all areas classified as transient vapour locations.

(2) Transient Vapours means combustible gases or vapours that are capable of migrating from hazardous locations through air movement.

90-004 Horizontal Clearance of Overhead Power Lines

Where an overhead powerline is adjacent to an oil or gas well, the horizontal clearance from the pole will conform to the SaskPower utility standard.

Gas and Oil Drilling and Servicing Rigs

90-100 Area Classifications (Diagram 21)

(1) Areas within 2 m horizontally and 3 m vertically of the centre of the well hole or any area where accumulation of ignitable vapours may occur, such as mud tanks or confined space under the drilling floor, shall be classified as Class I Division 2 hazardous areas.

(2) Areas outside of the Class I Division 2 location surrounding the well hole shall be considered subject to possible transient combustible vapours, if:

(a) within 22.5 m horizontally and vertically of a well;

(b) enclosed within the derrick structure; or

(c) in a building, any part of which is within 22.5 m of a well.

Oil Well Pump Installations

90-200 Area Classification (Diagram 22)

(1) Areas within 2 m horizontally and 3 m vertically of the centre of a well hole shall be classified as a Class I Division 2 hazardous location.

(2) Areas outside of the Class I Division 2 location but within 6 m of the well horizontally and vertically shall be considered exposed to transient vapours.

90-202 Equipment

(1) Electrical equipment in areas as outlined in Rule 90-200(2):

(a) Where plug receptacles are installed, they shall be a weatherproof type and so constructed that accidental disconnection of the cord is prevented.

(b) Equipment, including pressure switches, which is frequently moved for well-servicing operations shall be connected with a type SO, SOW, STW, or equivalent flexible cord, as short as possible, with approved fittings and shall have an approved means for readily connecting and disconnecting the flexible cords.

(c) The disconnecting means for the flexible cord shall be rigidly mounted 450 mm above ground level or pump base.

(2) A warning sign must be posted on pumps which are automatically controlled with wording similar to the following:

WARNING: This equipment is automatically controlled, and the main switch must be disconnected before work is done on the equipment.

Battery Installations and their Associated Equipment, Pumps, Automatic Custody Transfer Assemblies, Manifolds, Treaters, Separators, and other Sources of Ignitable Vapours.

90-300 Area Classification (Diagram 24)

(1) Areas within building or housing treaters, separators, manifolds, or other equipment which may result in hazardous concentrations of flammable gases or vapours continuously, intermittently, or periodically, under normal operating conditions shall be considered as Class I Division 1 hazardous locations.

(2) The following areas shall be classified as Class I Division 2 hazardous locations:

(a) Outdoor areas within 3 m of the outer confines of building or housings in which the conditions outlined in subrule (1) exist, plus an additional horizontal distance of 4.5 m to a height of 450 mm above ground level.

(b) Areas within 3 m of oil storage or surge tanks and extending horizontally to the perimeter and the height of dykes or fire walls enclosing the tanks.

- (c) Outdoor or unhooded areas within 3 m horizontally and 2 m vertically of pumps, manifolds, treaters, separators, and associated automatic custody transfer units which incorporate valves, checks, meters or any potential source of leakage.

Water Flood, Disposal Systems, and Injection Wells

90-400 Area Classification (Diagram 23)

(1) The area above the produced water in a vessel or tank used as a storage facility shall be Class 1, Division 1, and an area within 1.5 m in any direction of a ventilation opening into a Class 1, Division 1 hazardous location will be classified Class 1, Division 1. The area between 1.5 m and 3.0 m from a ventilations opening will be classified Class 1, Division 2.

(2) Areas within buildings or housing at water flood and disposal systems that enclose wells which extend into oil and gas-producing zones shall be classified as Class I Division 2 hazardous areas, unless provisions, acceptable to the inspection authority, are made.

(3) Areas within buildings in which water produced in conjunction with crude oil, or fresh water, containing gas, is stored, processed, or subjected to pumping operations shall be classified as Class I Division 2 hazardous location, except that such areas may be regarded as non-hazardous if:

- (a) the produced or gas-entrained fresh water has been sufficiently processed to remove any hazardous vapours; and
- (b) the disposal well is not located in the building, or
- (c) Buildings housing injection wells will be regarded non-hazardous if:
 - (i) Provision of a concrete floor which will establish an essentially gas-tight seal over the ground surface and around the surface casing, and
 - (ii) Provision of an acceptable underfloor vent, extending outside the building structure, which will vent surface or marsh gases that may accumulate under floor, adjacent to the surface casing, and
 - (iii) Venting of the annular space between surface and production casings to outside atmospheres shall be provided. Valves which are used in conjunction with this vent must be tagged with a warning to the effect that they shall be maintained in the open position, and
- (d) Adequate cross ventilation of the building shall be established by the provision of louvres, or openings, or forced ventilations.

Gas-pressuring and Storage Systems, Gas Compressor Stations

90-500 Area Classification (Diagram 24)

(1) Areas within buildings or housings, which enclose gas compressors and their associated equipment, shall be regarded as Class I Division 1 hazardous locations, except that such areas may be regarded as Division 2 locations, where:

- (a) The building or housing is of the shed type and is open on three sides from grade to roof levels, and the roof ventilators are provided if lighter than air gases are involved; or
 - (b) The gas compressors and their associated piping and equipment are so designed and installed that they satisfy the conditions set out in Rule 18-004(b)(i) of the Code; or
 - (c) Suitable safety features are provided in the form of:
 - (i) combustible gas-detection equipment which will automatically de-energize the electrical system in the case of unattended locations, or set off an alarm in attended locations, before the concentration of gas reaches 40 percent of the lower explosive limit; or
 - (ii) actuation of a visible or audible alarm upon failure or forced ventilation, as outlined in Rule 18-004(b)(ii), in attended stations and de-energization of the electric system in the case of unmanned stations.
- (2) All areas below grade level in buildings or housings shall be regarded as Class I Division 1 locations.
- (3) Outdoor areas within 3 m of the outer confines of buildings or housings in which the Class I Division 1 conditions outlined in subrule (1) exist, plus an additional horizontal distance of 4.5 m to a height of 450 mm above ground level shall be classed as Class I Division 2 hazardous locations.

Section 92: Electrical Installations on Farms

Section 92 is added

92-000 Scope

This section applies to electrical installations on farms, farm irrigation units, feed lots and other qualified farm-related operation.

General

92-001 Definition of Farm

Farm shall mean a rural land holding, located outside the corporate limits of a city, town, village or within the boundaries of an area legally zoned for agricultural use, where the use and development of the land holding is exclusively for purposes of agricultural production.

Yard Wiring and Services

92-100 Aerial Conductors on Utility Poles

(1) Overhead conductors forming parts of the farm wiring system shall not be supported on, or fastened to, any utility pole, except the yard transformer pole.

(2) Where additional guying of the yard pole is made necessary, such guying shall be **at the cost of the owner** upon consultation with the utility.

92-102 Customer-Owned Poles

(1) Where additional poles are required for support of overhead conductors, shall be:

- (a) 7.5 m or more in length with a minimum top diameter of 125 mm;
- (b) set into the ground at least 1.5 m;
- (c) treated for prevention of rot; and
- (d) guyed at corners and deadends

(2) Installation or addition of overhead conductors shall be made only if the pole is capable of withstanding the resultant directional stresses.

92-104 Yard Light on Transformer Pole

(1) The yard light may be mounted on the transformer pole provided:

- (a) it is located below the secondary rack where there is one;
- (b) with a separation of at least 500 mm between the bottom of the transformer and the fixture base where there is no secondary rack;
- (c) on the quadrant of the pole which would not interfere with pole climbing and transformer removal.

Services

92-200 Subdivision of Service

(1) Where the main service switch or breaker is located outdoors, subservice drops may be run from a splitter located on the load side thereof or from a service rack.

(2) **Where three phase 4-wire systems are installed, four wires must be present in the service.**

92-202 Classification of Services to Buildings

(1) On all farms a **service box** shall be installed at the residence, buildings housing livestock and buildings requiring 3-wire 120/240 volt supply when such buildings are to be supplied with energy directly from the transformer-pole secondary rack, or a splitter box

(2) **On any farm building, other than the residence, the service stack may be installed on a wooden mast of at least 100 X 100 mm securely fastened to the building with two through bolts.**

92-204 Splitter Box on Yard Pole

(1) Where one or more underground services are being connected to a yard pole supply and the utility service is not provided with a splitter compartment, an approved weatherproof splitter box shall be installed.

92-206 Service Drops

(1) Where a farm building is extended, a second service drop may be run to the extension, other than the residence.

(2) Services including the grounding electrode shall be installed a minimum of 9 m from any watering bowl.

Grounding

92-300 Grounding Service Equipment

Service equipment shall be grounded in the following manner:

(1) The service to the residence, pump house, buildings housing livestock and any other building shall be grounded by means of at least one electrode and when there is only one service on a farmstead, at least two electrodes shall be provided.

Wiring Methods

92-400 Wet Locations

(1) Non-metallic boxes shall be installed at outlets in buildings housing livestock or poultry and other buildings subject to condensation or moisture.

(2) Ceiling-mounted lighting outlets in moist or wet locations may be wired with NMW or NMWU.

Installation of Equipment

92-500 Portable Motors

Portable motors shall **meet the requirements of Section 28 of the C.E.C.**

92-502 Heat Lamp Installations (Brooder Fixtures)

(1) Circuits supplying infra-red heat lamps must be permanently installed.

(2) heat lamps shall only be used in approved brooder fixture assemblies, and the assemblies shall be suitable for use in damp locations.

(3) Brooder fixtures shall be the 3-wire grounded type.

(4) Brooder fixtures shall be independently supported by a chain, wire or bracket, and shall not be suspended by the cord.

(5) Brooder fixtures shall be so suspended as to be more than 450 mm from litter or from combustible material.

(6) Brooder fixtures shall be protected by barriers to prevent animals from contacting and damaging the brooder units.

92-504 Electric Heaters in Buildings Housing Livestock

Electric heaters for use in buildings housing livestock shall be approved for the purpose and marked Suitable for Use in Buildings Housing Livestock or a similar wording.

Electrically Driven Pivot Irrigation Machines

92-600 General

Rule 92-602 to 610 apply to pivot type multi-motor irrigation machines which revolve around a central pivot and employ alignment switches or similar devices to control individual motors.

92-602 Several Motors on One Branch Circuit

(1) Several motors, each not exceeding 2 H.P. rating, may be used on an irrigation machine circuit protected at not more than 30 amperes at 600 volts or less, provided all of the following conditions are met:

- (a) The full-load rating of any motor in the circuit shall not exceed 6 amperes.
- (b) Each motor in the circuit shall have individual running overload protection in accordance with Section 28.
- (c) Taps to individual motors shall not be smaller than 14 AWG copper and not more than 7.5 m in length.

(2) Individual branch-circuit short-circuit protection for motors and motor controllers shall not be required where the requirements of subrule (1) are met.

92-604 Disconnecting Means

(1) The main disconnecting means for machine shall be located at the point of connection of electrical power to the machine, be readily accessible and capable of being locked in the open position, and have the same horsepower and current ratings as required for the main controller.

92-606 Interconnecting Wiring

(1) Wiring to interconnect the unit collector rings, control panels and motors may be multi-conductor, jacketed cables suitable for outdoor use, suitable for hard usage according to Table 11, and have a grounding conductor.

(2) Cables may be supported along water pipe sections between towers.

(3) Supporting of cables shall be at intervals not exceeding 1.2 m and within 300 mm of terminal fittings by means of straps, hangers or similar fittings.

(4) Where routing of cables is such that additional strain might be imposed on terminal fittings, supplemental strain relief shall be provided.

(5) Protection by location, or by supplemental means shall be provided for cables subject to mechanical damage such as at tower drive motors.

92-608 Lightning Protection

If an irrigation machine has a stationary point, a driven ground rod shall be connected, with minimum #6 AWG copper conductor to the machinery at the stationary point for lightning protection.

92-610 Ground Fault Protection

Connection and re-connection of new and existing irrigation equipment must meet the requirements of the current CEC Part 2 standards with respect to ground fault protection.

Table 66 is added.

TABLES

Table 66

Limits of Approach to Normally Live Parts

Nominal Voltage Phase-to-	Voltage to	Minimum Recommended Working Clearance	*Absolute Limit of Approach for Personnel
230 kV	133 kV	1.83 m	1.40 m
138 kV	79.8 kV	1.22 m	1.00 m
72 kV	41.6 kV	0.80 m	0.60 m
25 kV	14.4 kV	0.60 m	0.30 m
15 kV	8.6 kV	0.60 m	0.30 m
4.16 kV	2.4 kV	0.60 m	0.15 m

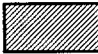
* Absolute limit of approach is the least permissible distance between live electrical apparatus and the position that an experienced qualified tradesmans' body (or tools and material he may be handling) could be in, through an accidental or unplanned movement.

Diagram 11

**LINE OR COUNTRY
GRAIN ELEVATOR**

18-403 Sask. Supplement

HAZARDOUS AREA CLASSIFICATION

CLASS II
DIVISION 2 

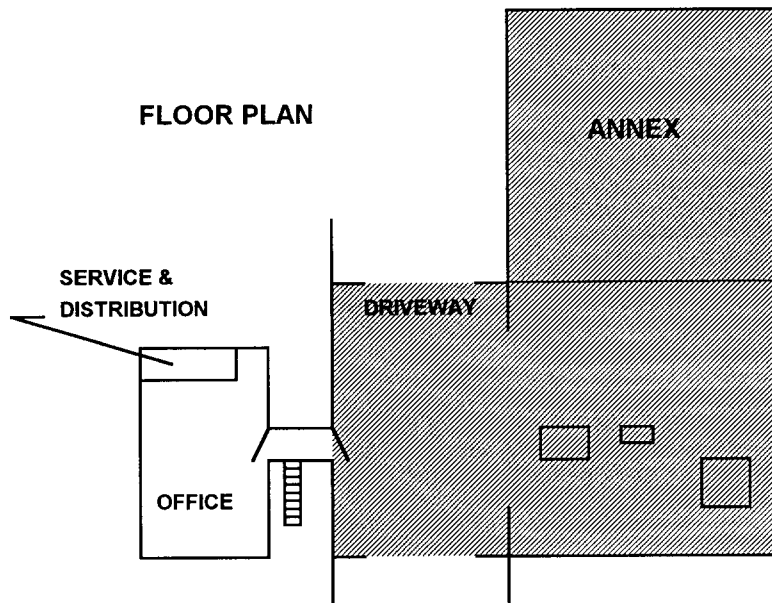
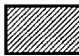


Diagram 12

MAIN FLOOR PLAN SEED CLEANING PLANT

18-403 Sask. Supplement

HAZARDOUS AREA CLASSIFICATION

CLASS II
DIVISION 2 

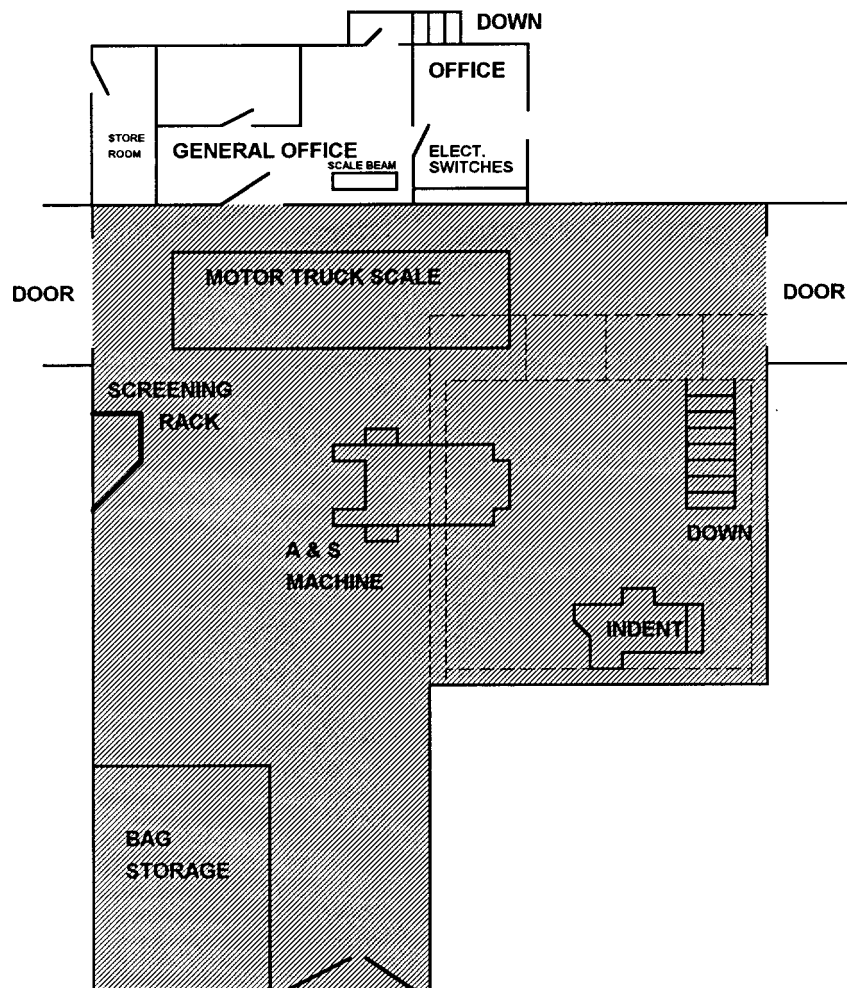


Diagram 13

FEED MILL FLOOR PLAN

18-403 Sask. Supplement

HAZARDOUS AREA CLASSIFICATION

CLASS II
DIVISION 1

CLASS II
DIVISION 2

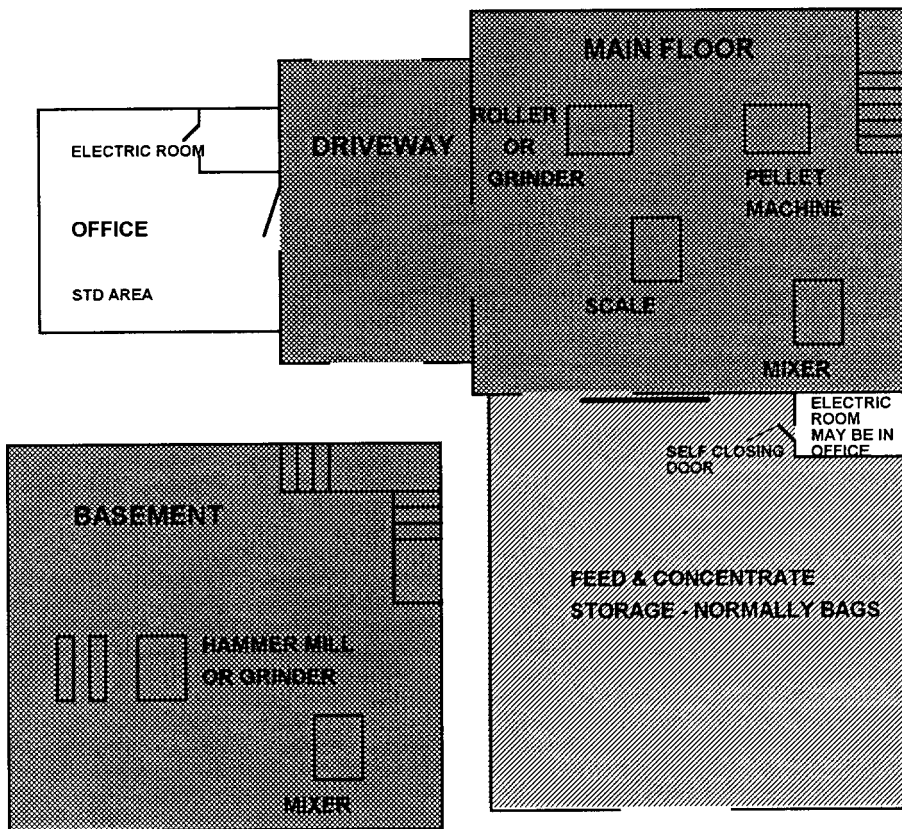


Diagram 14

GASOLINE DISPENSING STATION

Rule 20-004

HAZARDOUS AREA CLASSIFICATION

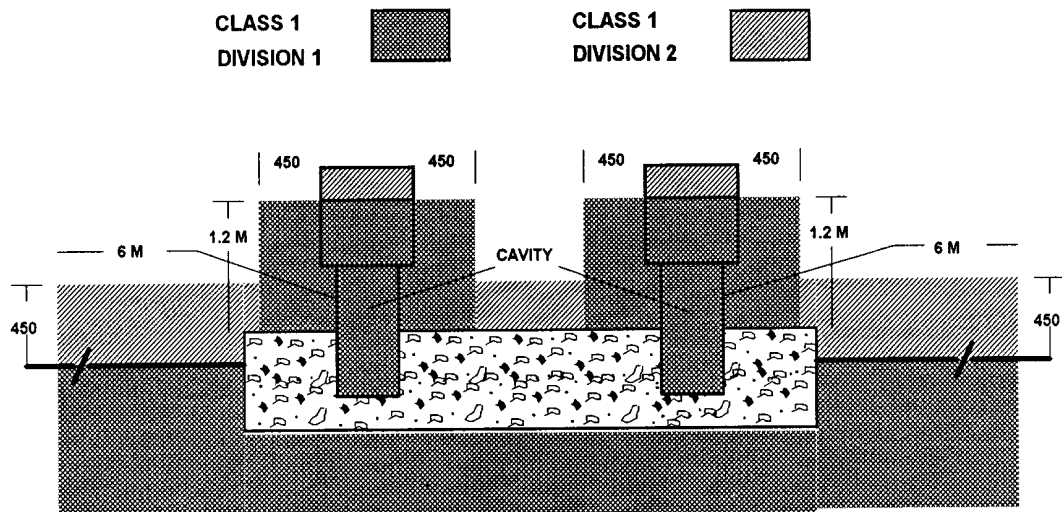


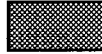
Diagram 15

GASOLINE STORAGE TANKS

Rule 20-004

HAZARDOUS AREA CLASSIFICATION

CLASS 1
DIVISION 1



CLASS 1
DIVISION 2

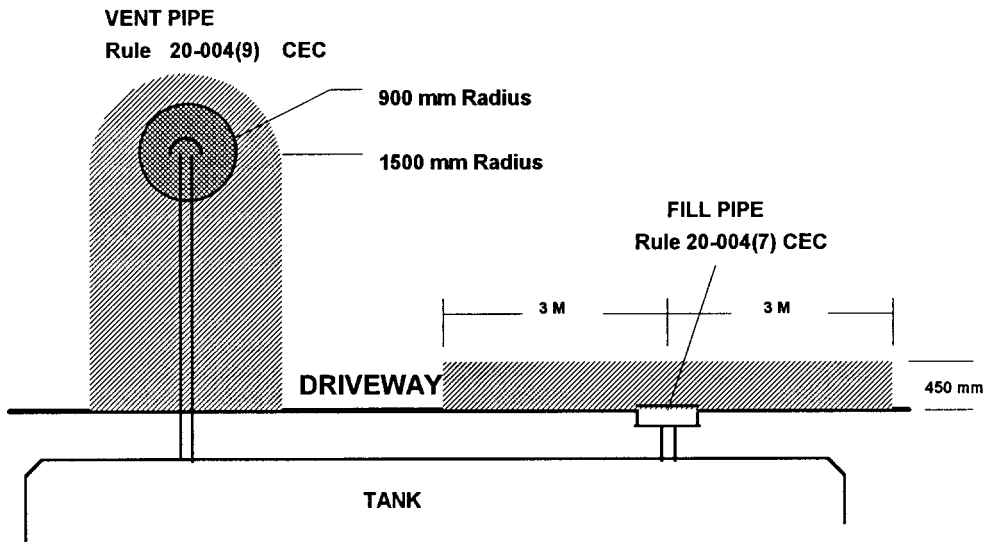



Diagram 16

COMMERCIAL GARAGES AND REPAIR SHOPS

Rule 20-102

HAZARDOUS AREA CLASSIFICATION

CLASS 1
DIVISION 2 

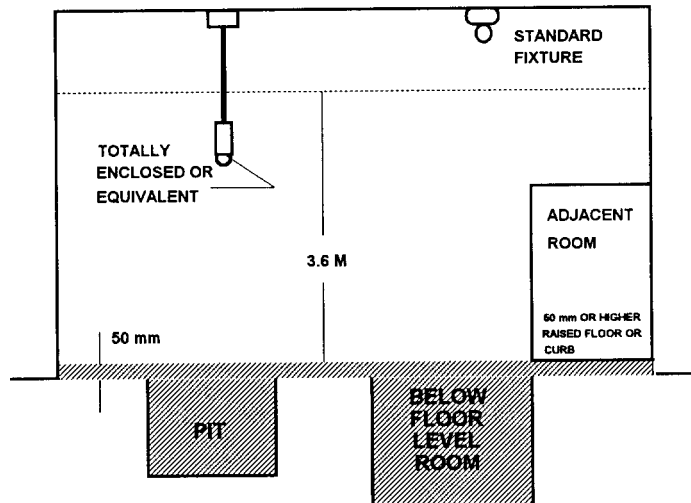


Diagram 17

**FLAMMABLE LIQUIDS
BULK PLANTS**

Rule 20-302

HAZARDOUS AREA CLASSIFICATION

CLASS 1
DIVISION 1

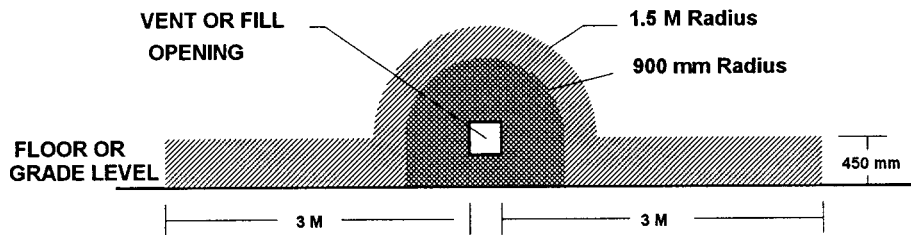


CLASS 1
DIVISION 2



Rule 20-302 (2)(a)

**TRANSFER OF FLAMMABLE LIQUIDS OUTDOORS OR
INDOORS WITH MECHANICAL VENTILATION**



Rule 20-302 (2)(b)

**TRANSFER OF FLAMMABLE LIQUIDS INDOORS
WITHOUT MECHANICAL VENTILATION**

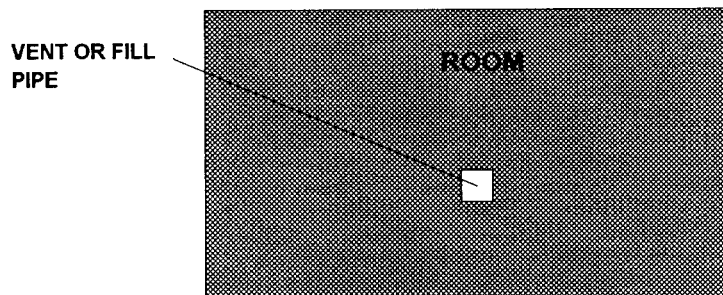



Diagram 18

FLAMMABLE LIQUIDS BULK PLANTS

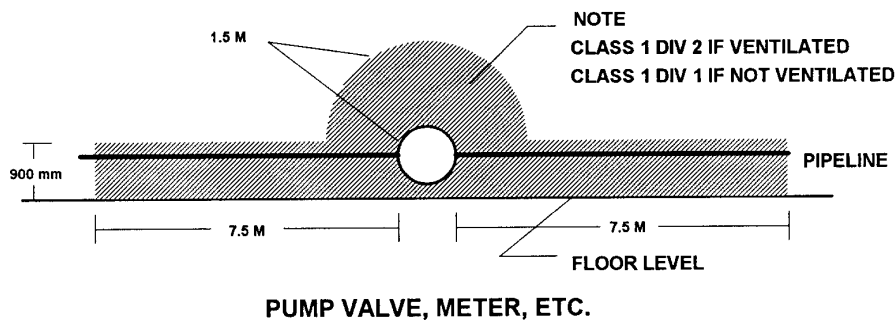
Rule 20-302

HAZARDOUS AREA CLASSIFICATION

CLASS 1
DIVISION 1 

CLASS 1
DIVISION 2 

**BULK STORAGE
INDOOR AREA**



**BULK STORAGE
OUTDOOR AREA**

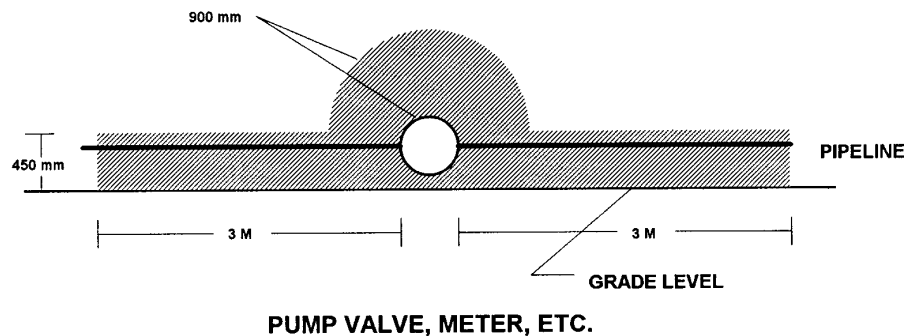


Diagram 19

FINISHING PROCESSES

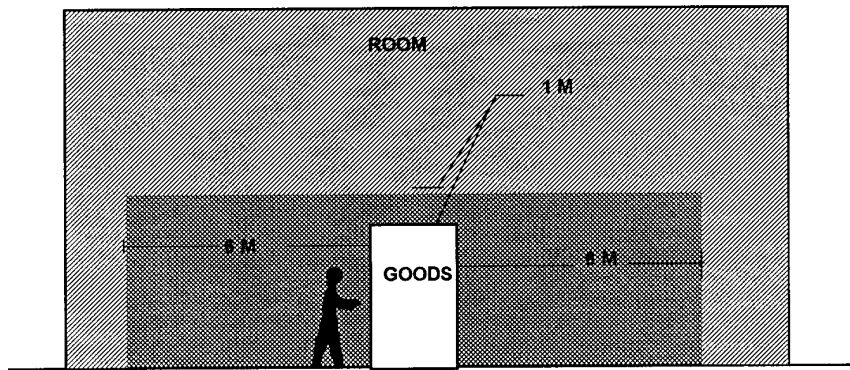
Rule 20-402

HAZARDOUS AREA CLASSIFICATION

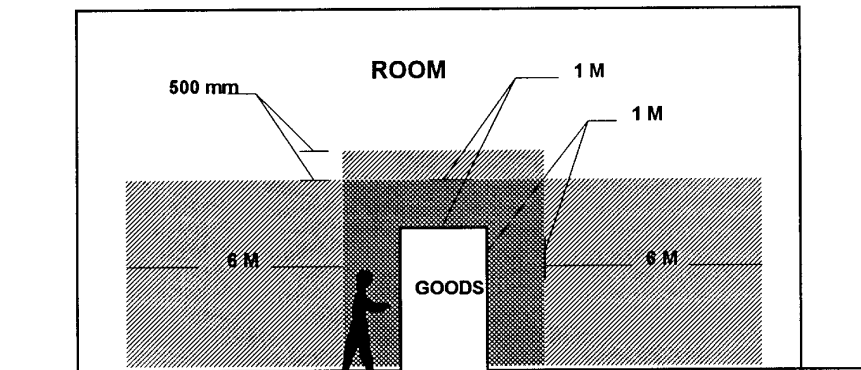
CLASS 1
DIVISION 1



CLASS 1
DIVISION 2



**EXTENSIVE OPEN SPRAYING
RULE 20-402 (1)(b) & (4)**



**OPEN SPRAYING MACHINE VENTILATION WITH INTERLOCKS
RULE 20-402 (7)**

Diagram 20

AIRCRAFT HANGAR HAZARDOUS AREAS

Rule 20-502

HAZARDOUS AREA CLASSIFICATION

CLASS 1
DIVISION 1



CLASS 1
DIVISION 2

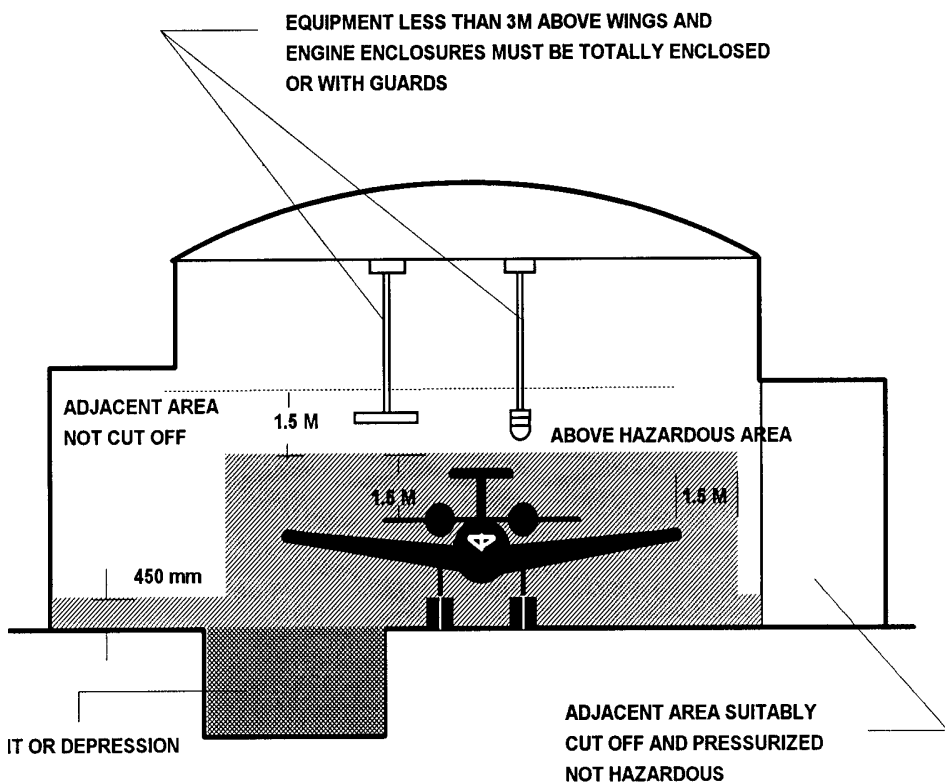


Diagram 21

DRILLING AND SERVICE RIGS

Rule 90-100 Sask Supplement

HAZARDOUS AREA CLASSIFICATION

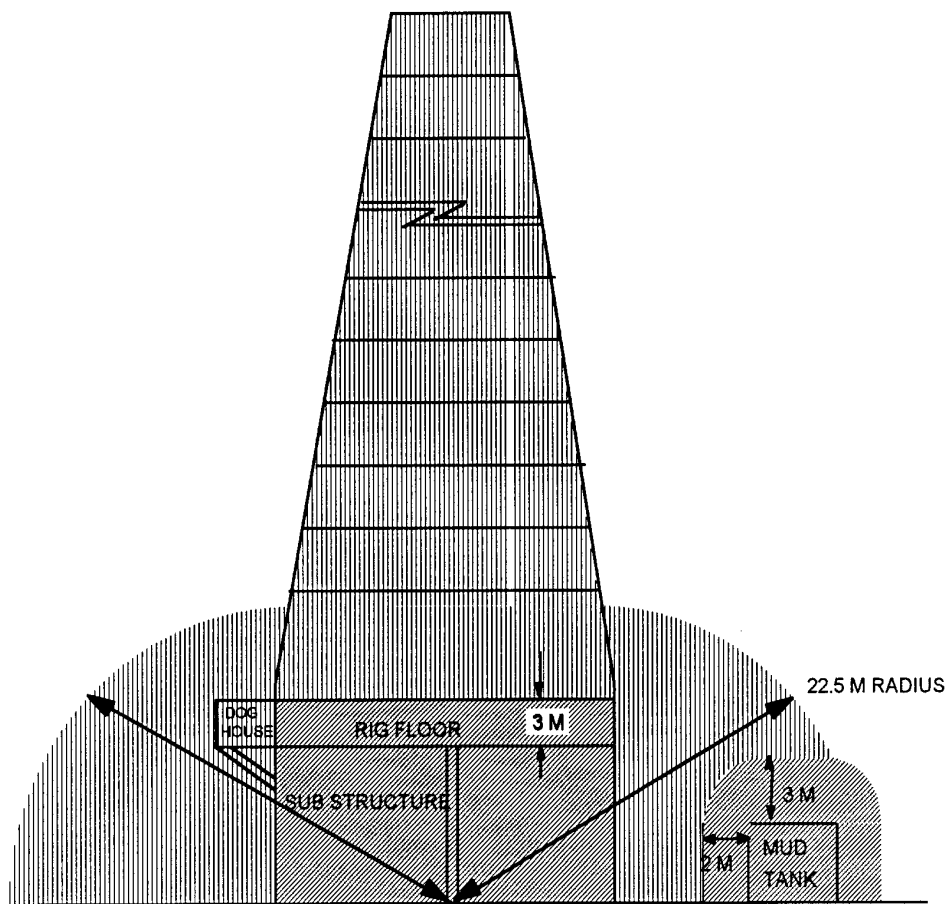
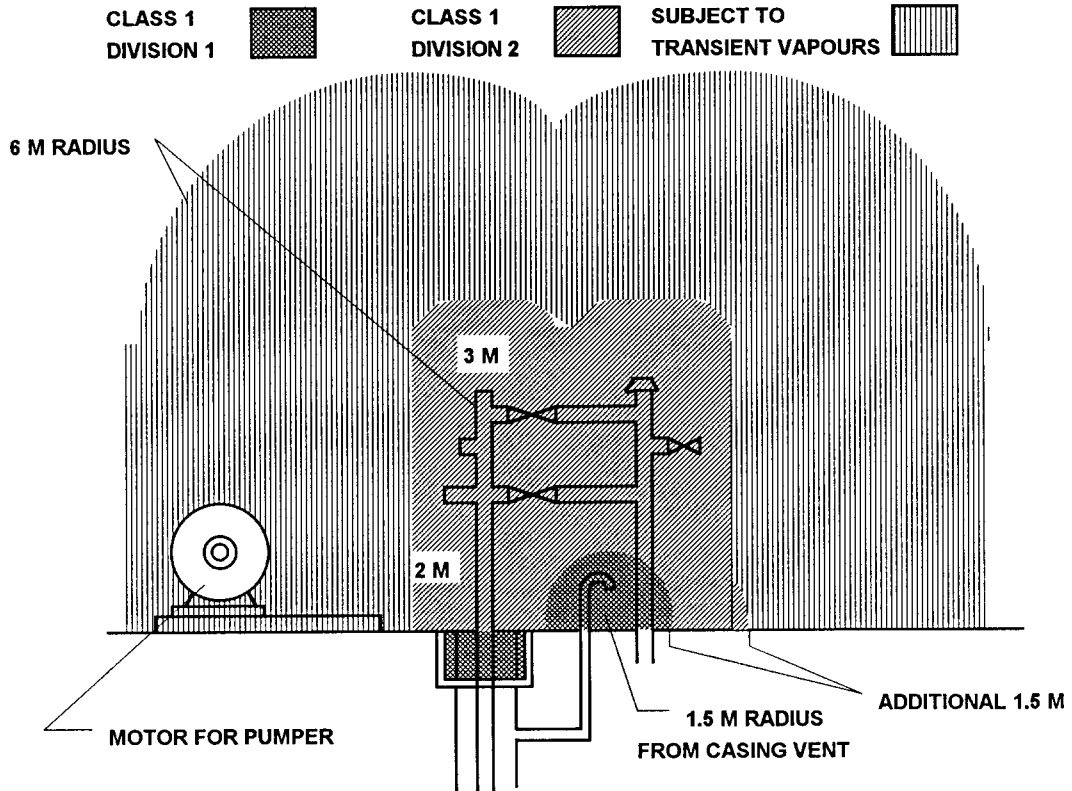


Diagram 22

TYPICAL WELLHEAD

Rule 90-200 Sask Supplement

HAZARDOUS AREA CLASSIFICATION



VALVES, PUMPS, MANIFOLDS, ETC., OUTDOORS

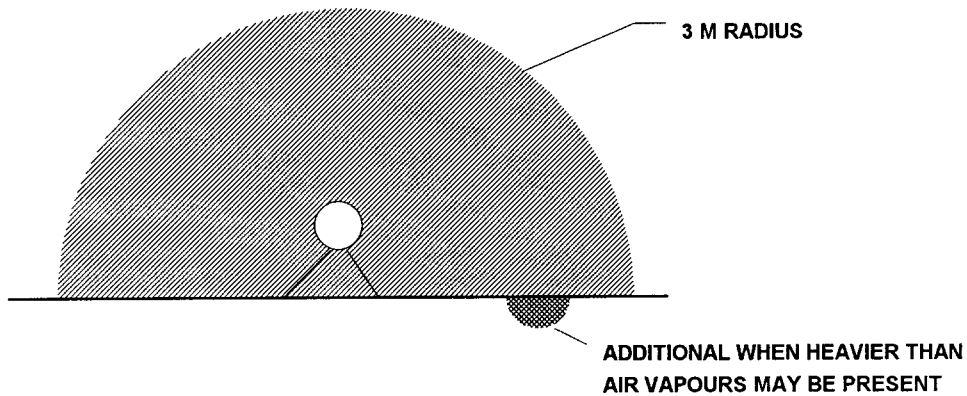


Diagram 23

WATER AND FLOOD DISPOSAL

Rule 90-400 Sask. Supplement

HAZARDOUS AREA CLASSIFICATION

CLASS 1
DIVISION 1



CLASS 1
DIVISION 2

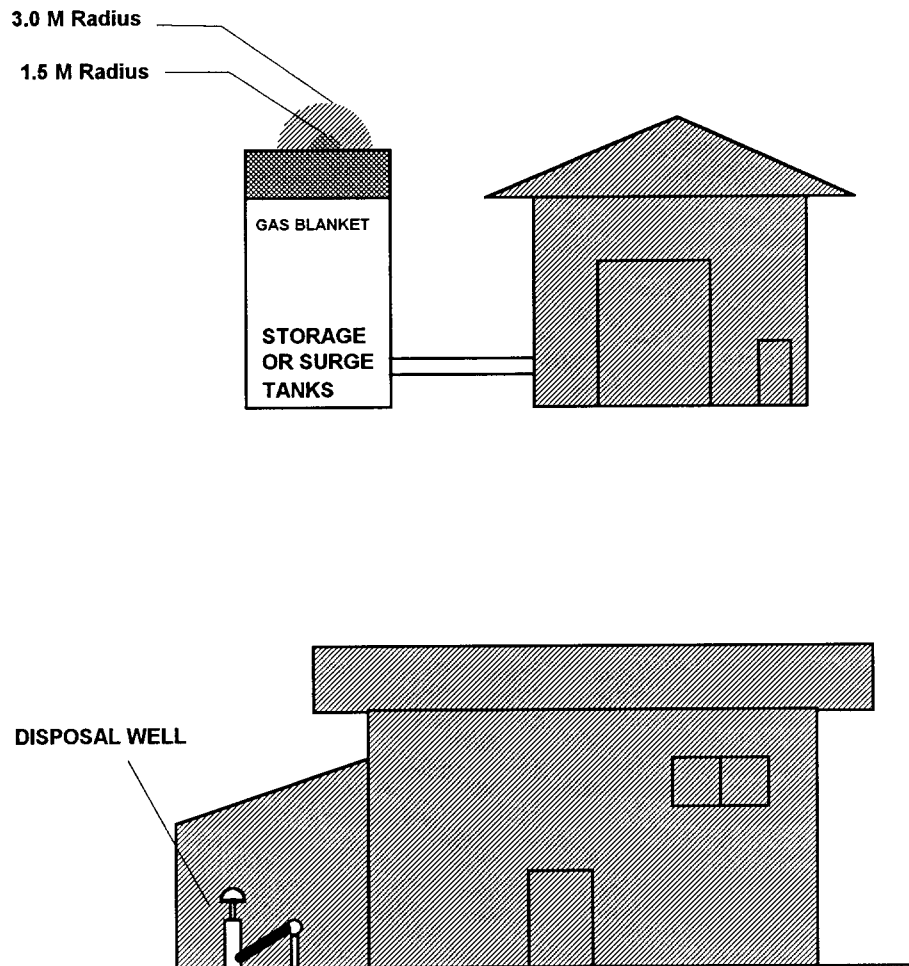


Diagram 24
TRANSMISSION OR PROCESS FACILITY

Rule 90-300 & 90-500 Sask. Supplement

HAZARDOUS AREA CLASSIFICATION

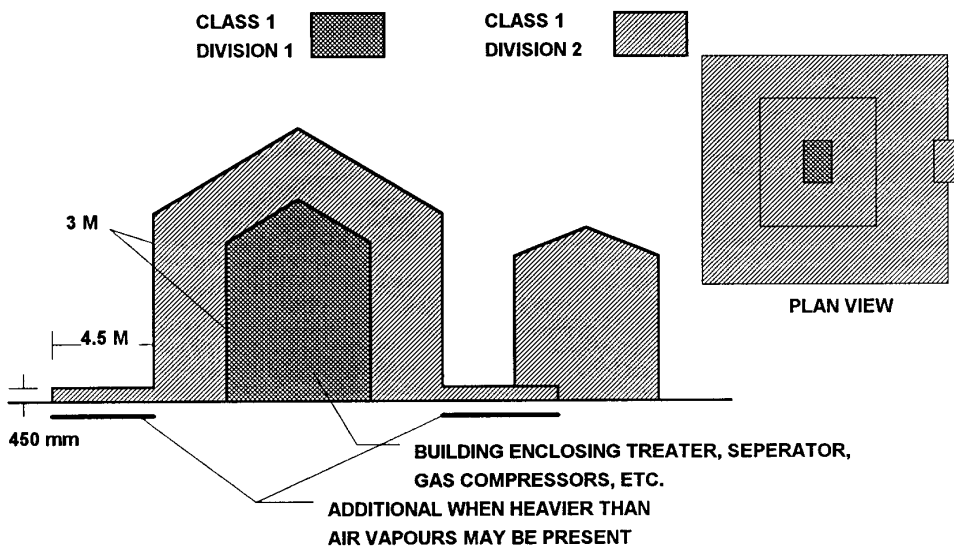


Diagram 25
FLAMMABLE LIQUID STORAGE TANK IN A NON-ENCLOSED ADEQUATELY VENTILATED AREA

Rule 20-302(4)

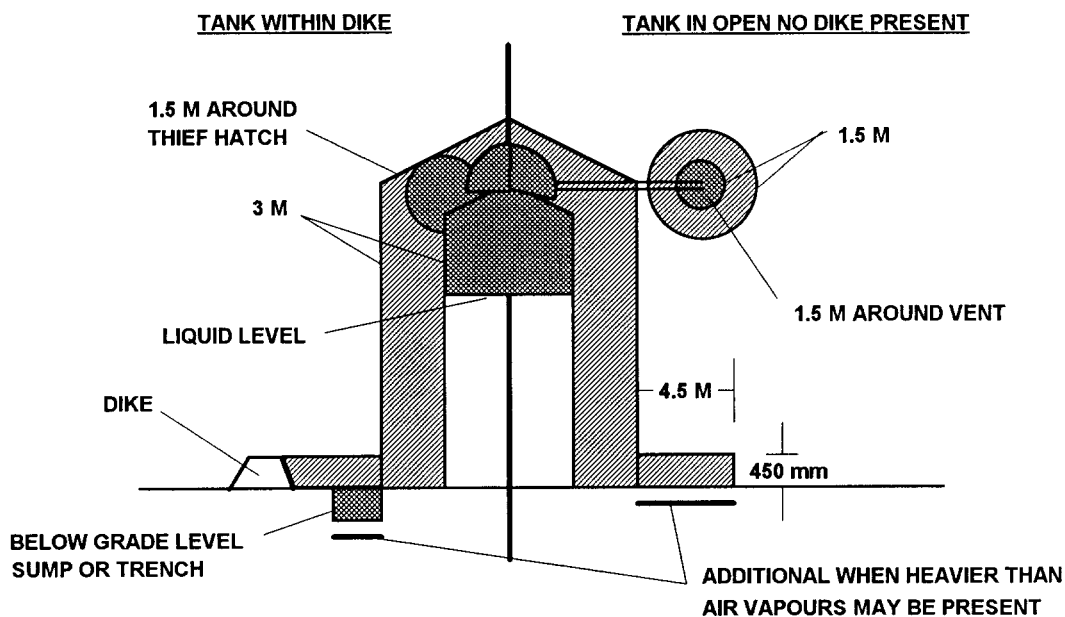
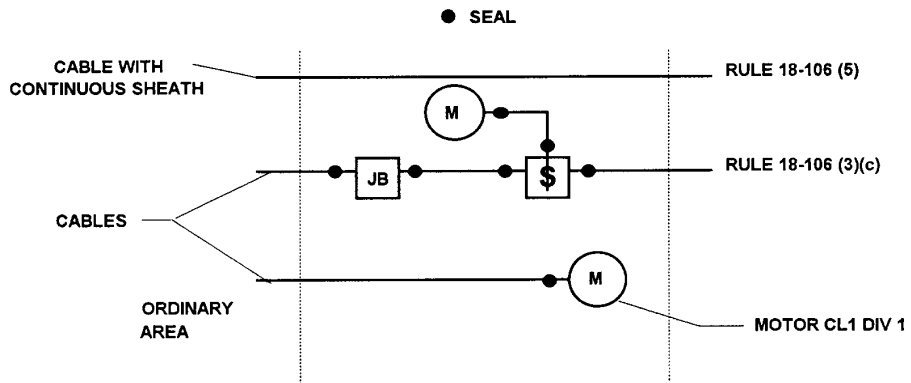
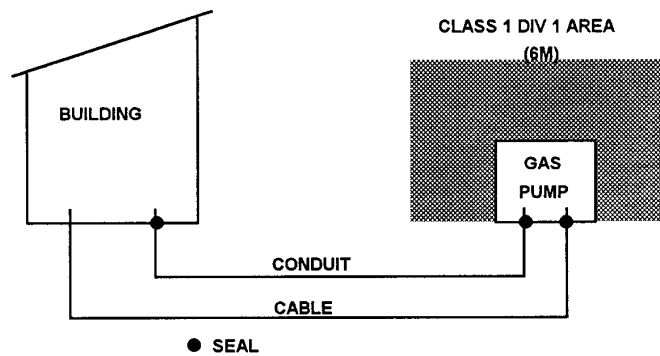
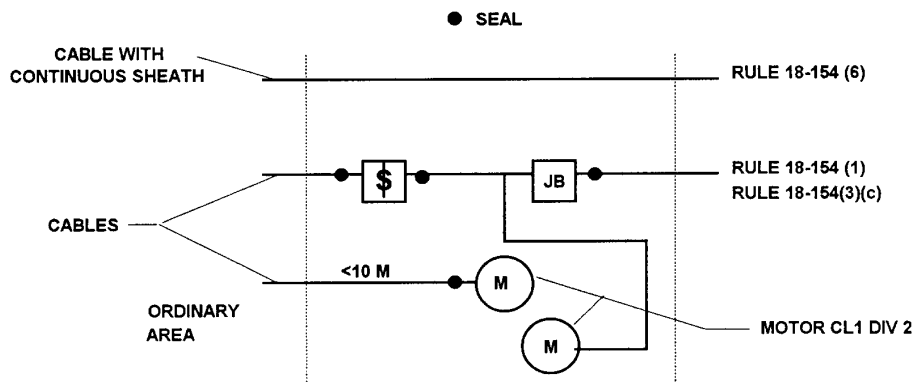


Diagram 26 HAZARDOUS LOCATION SEALING

CLASS 1 DIVISION 1 CABLE



CLASS 1 DIVISION 2 CABLE



APPENDICES

Appendix B

2-015 Appendix note 2-015 is added pertaining to Rule 2-015.

Rule 2-015 requires that plans and specifications shall, in addition to other details, contain the maximum short circuit current available at each point of application of protective devices in installations exceeding 600 A. Because of the lower impedance's in the energy-efficient transformers currently being used by utilities and available for customer-owner installations, the resultant higher short circuit availability makes the requirement in this rule even more important. For example, a 500 KVA 120/208 V transformer with 2% impedance has a short circuit current of 69400 amp available at its terminals (based on infinite primary) whereas one with 5% impedance would have only 27760 amp available.

On the basis that code fuses and many circuit breakers have an interrupting capacity rating of 10000 amps, it will be apparent from the tabulation below, that a substantial number of systems will require careful fault current analysis to ensure compliance with rule 14-012 and related note in Appendix B of the Code. Whereas the short circuit current available for the overcurrent device to interrupt is dependent upon several factors, such as distance, type and size of circuit conductors careful attention must be given to arrangements with a short bus between a transformer and a distribution centre.

Review of plans not having the required short circuit current information will be withheld until it is made available and the selected overcurrent devices are determined to have satisfactory IC rating. If values are not available from utilities (on rare occasions) the inspection office should be consulted for concurrence with an estimated value.

18-405 Appendix note 18-405 is added regarding Rule 18-405

As per CSA Standard B52-M a Class T machine room requires the following:

A Class T machinery room shall have no ignition source apparatus permanently installed and operated and also shall conform to the following:

a) Emergency remote controls to stop the refrigerant compressor shall be provided and located immediately outside the machinery room;

b) An independent mechanical ventilation system conforming to Clause 7.10.4 shall be provided for all machinery rooms. In basements and sub/basements the ventilation system shall be operated continuously. In all other locations the machinery rooms shall have continuous ventilation or be equipped with a gas-monitoring system that will automatically start up the ventilation system and actuate a remote alarm at the lowest practical instrument-detection level not exceeding 25% of the lower explosive limit;

c) Emergency remote controls for the mechanical means of ventilation shall be provided and located outside the machinery room.

62-114 Appendix note 62-114 is added pertaining to subrules 62-114 (6) and (7).

With continuing increase in use of electric furnaces and the need for proper sizing of disconnect, overcurrent protection and supply conductors, the table thereunder has been prepared for ease of reference.

ELECTRIC FURNACES AND OTHER HEATING EQUIPMENT

Ref. C.E.C. 62-114 (6) and (7)

Nameplate Furnace Rating (KW)	Conductor Size		Fuse or C.B. Rating
	Copper	Aluminum	
5 KW	No.10 AWG R90	No. 8 AWG R90	30 Ampere
10 KW	No. 8 AWG R90	No. 6 AWG R90	60 Ampere
15 KW	No. 4 AWG R90	No. 3 AWG R90	100 Ampere
20 KW	No. 3 AWG R90	No. 1 AWG R90	125 Ampere
25 KW	No. 2 AWG R90	No. 0 AWG R90	150 Ampere
30 KW	No. 1 AWG R90	No. 00 AWG R90	175 Ampere

A sample selection for a 20 KW furnace follows: The ampacity of the conductors supplying the electric furnace and the size of the overcurrent devices are determined by applying Rule 62-114.

The overcurrent device for the furnace must be sized so that the total connected load of the heating equipment does not exceed 80% of the rating of the overcurrent device in accordance with subrule (6). In this case, the load is 83.3 amps, the minimum size of overcurrent devices is $83.3 / 0.8 = 104$ amperes. The next available fuse is 125 amperes.

Since this fuse is supplying a heating load, Rule 14-610 requires that the fuses be a time delay type or HRC Form I.

The conductor size is determined by applying subrule (7) of 62-114. The conductor must be of an ampacity sufficient to carry the load, must have an ampacity rating at least 80% of the rating or setting of the branch circuit overcurrent device. A conductor rated at 100 amperes, i.e. #3 AWG R90 (Column 3 of Table 2) would satisfy these requirements.

Based on the conduit fill requirements of Rule 12-1014 and Tables 6 and 10, it can be determined that the 2 #3 AWG R90 conductors require a 1 1/4" conduit.

The size of the conduit used for bonding equipment must be considered. Rule 10-814 and Table 16 require a 1 1/2 EMT conduit where the overcurrent protection exceeds 100 amperes.

Therefore in this installation the 1 1/4 EMT conduit would have to be increased to 1 1/2 EMT.

Table D-13 is added.

Table D-13

Table D-13 suggested maximum capacitor rating when motor and capacitor are switched as a unit (For 3-phase, 60 Hz NEMA Class B motors to raise full-load power factor to 95%).

MOTOR RATING HP	NOMINAL MOTOR SPEED IN RPM											
	3600		1800		1200		900		720		600	
	CAPS KVARs	AMPRE REDUCE %	CAPS KVARs	AMPRE REDUCE %	CAPS KVARs	AMPRE REDUCE %	CAPS KVARs	AMPRE REDUCE %	CAPS KVARs	AMPRE REDUCE %	CAPS KVARs	AMPRE REDUCE %
3	1.5	14	1.5	15	1.5	20	2	27	2.5	35	3.5	41
5	2	12	2	13	2	17	3	25	4	32	4.5	37
7.5	2.5	11	2.5	12	3	15	4	22	5.5	30	6	34
10	3	10	3	11	3.5	14	5	21	6.5	27	7.5	31
15	4	9	4	10	5	13	6.5	18	8	23	9.5	27
20	5	9	5	10	6.5	12	7.5	16	9	21	12	25
25	6	9	6	10	7.5	11	9	15	11	20	14	23
30	7	8	7	9	9	11	10	14	12	18	16	22
40	9	8	9	9	11	10	12	13	15	16	20	20
50	12	8	11	9	13	10	15	12	19	15	24	19
60	14	8	14	8	15	10	18	11	22	15	27	19
75	17	8	16	8	18	10	21	10	26	14	32.5	18
100	22	8	21	8	25	9	27	10	32.5	13	40	17
125	27	8	26	8	30	9	32.5	10	40	13	47.5	16
150	32.5	8	30	8	35	9	37.5	10	47.5	12	52.5	15
200	40	8	37.5	8	42.5	9	47.5	10	60	12	65	14
250	50	8	45	7	52.5	8	57.5	9	70	11	77.5	13
300	57.5	8	52.5	7	60	8	65	9	80	11	87.5	12
350	65	8	60	7	67.5	8	75	9	87.5	10	95	11
400	70	8	65	6	75	8	85	9	95	10	105	11
450	75	8	67.5	6	80	8	92.5	9	100	9	110	11
500	77.5	8	72.5	6	82.5	8	97.5	9	107.5	9	115	10

Table D-14 is added.

**Table D-14
CAPACITOR SWITCHING DEVICES**

RECOMMENDED SWITCHING DEVICES (for separate mounting)																	
CAP RATING		AMPERES				CAP RATING		AMPERES				CAP RATING		AMPERES			
Volts	kVar	Cap Amps	Fuse Amps	MC Brkr	PC Brkr	Volts	kVar	Cap Amps	Fuse Amps	MC Brkr	PC Brkr	Volts	kVar	Cap Amps	Fuse Amps	MC Brkr	PC Brkr
240	2.5	6.01	15	15	15	480	2	2.41	15	15	15	600	5	4.81	15	15	15
	5	12	20	20	20		5	6.01	15	15	15		10	9.62	20	15	15
	7.5	18	30	30	30		7.5	9	15	15	15		15	14.4	25	30	20
	10	24.1	40	40	40		10	12	20	20	20		20	19.2	35	30	30
	15	36.1	60	70	50		15	18	30	30	30		25	24.1	40	40	40
	30	72.2	125	125	100		20	24	40	40	40		30	28.9	50	50	40
							25	30	50	50	50		40	38.5	70	70	70
	45	108	200	175	150		30	36.1	60	70	50		50	48.1	80	100	70
	60	144	250	225	200												
	75	180	300	275	250		40	48.1	80	100	70		60	57.8	100	100	90
	90	217	400	350	300		50	60.1	100	100	90		75	72.2	125	125	100
	120	289	500	500	400		60	72.2	125	125	100		80	77	150	125	125
	135	325	600	500	500		75	90.2	150	150	125		100	96.2	175	150	150
							80	96.2	175	150	150		120	115	200	175	175
	150	361	600	600	500		90	108	200	175	150		125	120	200	200	175
	180	433	800	700	600		100	120	200	200	175		150	144	250	225	200
	225	541	900	900	800		120	144	250	225	200						
	240	578	1000	900	800								160	154	300	250	225
	270	650	1200	1000	1000		125	150	250	225	200		180	173	300	300	250
	360	866	1600	---	1200		150	180	300	300	250		200	192	350	300	300
							160	192	350	300	300		225	217	400	350	300
							180	216	400	350	300		240	231	400	350	350
							200	241	400	400	350		250	241	400	400	350
							225	271	500	500	400		300	289	500	500	400
							240	289	600	500	400						
							250	301	500	500	400		320	306	600	500	500
													360	347	600	600	500
							300	361	600	600	500		375	361	600	600	500
							320	385	700	600	600		400	385	700	600	600
							360	433	800	700	600		450	433	800	700	600
							375	451	800	700	600						
							400	481	800	800	800						
							450	541	900	900	800						

Rule 26-214

MC = Moulded Case Breaker or equivalent. PC = Power Circuit Breaker or equivalent.

Table D-15 is added.

Rule 12-318 Sask. Supp.

Table D-15

RECOMMENDED SAGS FOR NEUTRAL-SUPPORTED CABLE												
	2-No. 1/0 Al 1-No. 1/0 Bare ACSR Span in Meters				2-No. 2 Al 1-No. 2 Bare ACSR Span in Meters				2-No. 4 Al 1-No. 4 Bare ACSR Span in Meters			
Temp.	15	23	30	38	15	23	30	38	15	23	30	38
Deg. C	Sag in Centimetres				Sag in Centimetres				Sag in Centimetres			
-29	25	58	102	157	20	43	76	119	18	43	76	119
-18	28	58	104	163	20	46	81	127	20	46	79	124
0	28	61	109	17	23	48	86	135	20	46	81	130
16	28	64	114	178	23	53	94	147	20	48	84	132
32	30	66	117	183	25	56	99	155	23	51	89	137

Table D-16 is added.

Table D-16

THREE PHASE TRANSFORMER FULL LOAD LINE CURRENT IN AMPERES								
KVA	208v.	240v.	480v.	600v.	2400v.	4160v.	13800v.	14400v.
3	8.3	7.2	3.6	2.9	0.72	0.42	0.126	0.120
6	16.6	14.4	7.2	5.8	1.46	0.82	0.251	0.241
9	25.0	21.7	10.8	8.7	2.17	1.25	0.377	0.361
15	41.7	36.1	18.2	14.5	3.61	2.09	0.628	0.601
30	83.4	72.3	36.1	28.9	7.23	4.17	1.26	1.202
45	125	108	54.2	43.4	10.8	6.26	1.88	1.805
50	139	120	60.2	48.2	12.0	6.96	2.09	2.00
75	208	181	90.3	72.3	18.1	10.4	3.14	3.005
112.5	313	271	135	108	27.1	15.7	4.71	4.51
150	417	361	181	145	36.1	20.9	6.28	6.01
200	556	482	241	193	48.2	27.8	8.37	8.02
225	625	542	271	217	54.2	31.3	9.41	9.025
300	834	723	361	289	72.3	41.7	12.55	12.02
450	1249	1083	541	433	108	62.5	18.83	18.04
500	1390	1204	602	482	120	69.6	20.92	20.07
750	2082	1804	902	722	180	104	31.38	30.07
1000	2776	2406	1203	962	241	139	41.84	40.09
1500	4164	3608	1804	1443	361	208	62.76	60.14
2000	5552	4811	2406	1925	481	278	83.67	80.19
KVA = 1.73 x VOLTAGE X CURRENT / 1000								

Table D-17 is added.

Table D-17

SINGLE PHASE TRANSFORMER FULL LOAD LINE CURRENT IN AMPERES							
KVA	120v.	240v.	480v.	600v.	2400v.	4160v.	14400v.
2	16.7	8.3	4.2	3.3	0.83	0.48	0.139
3	25.0	12.5	6.3	5.0	1.25	0.73	0.208
5	41.7	20.8	10.4	8.3	2.08	1.2	0.347
7.5	62.5	31.3	15.6	12.5	3.13	1.8	0.521
10	83.3	41.7	20.8	16.7	4.17	2.4	0.694
15	125	62.5	31.3	25.0	6.25	3.6	1.04
20	167	83.3	41.7	33.3	8.33	4.8	1.39
25	208	104	52.1	41.7	10.4	6.0	1.74
30	250	125	62.5	50.0	12.5	7.2	2.08
37.5	313	156	78.0	62.5	15.6	9.0	2.61
50	417	208	104	83.3	20.8	12	3.47
75	625	313	156	125	31.3	18	5.21
100	833	417	208	167	41.7	24.0	6.94
167	1391	695	347	278	69.6	40.1	11.6
200	1667	833	417	333	83.3	48.1	13.9
250	2083	1041	520	416	104	60.1	17.4
333	2115	1387	693	555	138	80	23.1
500	4167	2083	1042	833	208	120	34.7
750	6250	3125	1563	1250	313	180	52.1
1000	8333	4167	2083	1667	417	240	69.4
KVA = VOLTAGE (CURRENT) / 1000							

CHAPTER W-13.1 REG 62

The Wildlife Act

Subsection 63(2)

Minister's Order dated September 12, 1995

(Filed September 13, 1995)

Title

1 These regulations may be cited as *The Game Bird Open Seasons Regulations, 1995*.

Interpretation

2 In these regulations:

- (a) "**Act**" means *The Wildlife Act*;
- (b) "**Canadian resident**" means a person who has his or her principal residence in Canada and who is a Canadian citizen or has resided in Canada for the 12 months preceding the date of his or her application for a licence;
- (c) "**game bird**" means migratory game bird and upland game bird;

(d) “**migratory game bird**” includes any game bird protected by the *Migratory Birds Convention Act* (Canada) or the regulations made pursuant to that Act;

(e) “**non-resident**” means a person who is neither a Saskatchewan resident nor a Canadian resident;

(f) “**North Game Bird District**” includes Wildlife Management Zone 43, that portion of Wildlife Management Zone 47 lying north of Provincial Highways No. 3 and No. 26, Wildlife Management Zones 48 to 76 and Prince Albert Wildlife Management Zone, including Fort-a-la-Corne and Horsehide Lake Wildlife Management Units, Clearwater River, Greenwater Lake, Lac La Ronge, Meadow Lake, Narrow Hills and Wildcat Hill Provincial Parks, that portion of Clarence-Steepbank Lakes Provincial Park lying outside the Candle Lake Game Preserve, and Bronson Forest and Round Lake Recreation Sites;

(g) “**Saskatchewan resident**” means a person who:

(i) is a Canadian resident, has his or her principal residence in Saskatchewan and has resided in Saskatchewan for the three months preceding the date of his or her application for a licence; or

(ii) is a member of a regular force of the Canadian Armed Forces or of the Royal Canadian Mounted Police and is stationed and residing in Saskatchewan;

(h) “**South Game Bird District**” includes Wildlife Management Zones 1 to 19, 21 to 42 and 44 to 46, that portion of Wildlife Management Zone 47 lying south of Provincial Highways No. 3 and No. 26, and Saskatoon and Regina-Moose Jaw Wildlife Management Zones, including Duck Mountain and Moose Mountain Provincial Parks;

(i) “**upland game bird**” includes the birds of all species of the following families:

(i) tetraonidae, commonly known as grouse, including ruffed grouse, spruce grouse, prairie chickens, sharp-tailed grouse, sage grouse and ptarmigan; and

(ii) phasianidae, commonly known as pheasants and partridges, including ring-necked pheasants and European grey or Hungarian partridges.

References

3 In these regulations:

(a) references to days and dates are inclusive unless otherwise specified;

(b) references to time are references to Central Standard Time;

(c) references to wildlife management zones by number are inclusive;

(d) references to provincial parks are references to provincial parks constituted pursuant to *The Parks Act*;

(e) references to recreation sites are references to recreation sites constituted pursuant to *The Recreation Sites Regulations, 1991*;

(f) references to wildlife management units are references to wildlife management units constituted pursuant to *The Wildlife Management Zones and Special Areas Boundaries Regulations, 1990*;

(g) references to wildlife management zones are references to wildlife management zones constituted pursuant to *The Wildlife Management Zones and Special Areas Boundaries Regulations, 1990*;

(h) references to licences are to licences issued pursuant to the Act and *The Wildlife Regulations, 1981*.

General restrictions on hunting

4 These regulations are subject to any restrictions on and conditions relating to hunting contained in the Act, the *Migratory Birds Regulations (Canada)*, C.R.C. 1978, c.1035, these regulations and any other regulations made pursuant to the Act.

Sharp-tailed grouse open seasons

5 Subject to section 21, open seasons for sharp-tailed grouse are:

(a) the Monday following Labour Day and the following consecutive 47 days in the South Game Bird District;

(b) October 1 and the following consecutive days to the last of the 47 days mentioned in clause (a) in Estevan-Cambria and Lomond Wildlife Management Units and that portion of Douglas Provincial Park lying west of Diefenbaker Lake (Gordon Mackenzie Arm);

(c) October 15 and the following consecutive days to the last of the 47 days mentioned in clause (a) in Elbow Wildlife Management Unit;

(d) the Monday following Labour Day and the following consecutive 82 days in the North Game Bird District.

Hungarian partridge open seasons

6 Subject to section 21, open seasons for Hungarian partridges are:

(a) the Monday following Labour Day and the following consecutive 61 days in the South Game Bird District;

(b) October 1 and the following consecutive days to the last of the 61 days mentioned in clause (a) in Estevan-Cambria and Lomond Wildlife Management Units and that portion of Douglas Provincial Park lying west of Diefenbaker Lake (Gordon Mackenzie Arm);

(c) October 15 and the following consecutive days to the last of the 61 days mentioned in clause (a) in Elbow Wildlife Management Unit;

(d) the Monday following Labour Day and the following consecutive 82 days in the North Game Bird District;

(e) the first Monday in December and the following consecutive 19 days in Wildlife Management Zones 1 to 19, 24 and 31 and Regina-Moose Jaw Wildlife Management Zone, including Estevan-Cambria and Lomond Wildlife Management Units.

Cock pheasant open seasons

7 Open seasons for cock pheasants are:

- (a) the first Monday in October and the following consecutive days to the last of the 61 days mentioned in clause 6(a) in the South Game Bird District, including Estevan-Cambria and Lomond Wildlife Management Units;
- (b) the first Monday in December and the following consecutive 19 days in Wildlife Management Zones 1 to 19, 24 and 31 and Regina-Moose Jaw Wildlife Management Zone, including Estevan-Cambria and Lomond Wildlife Management Units.

Ruffed grouse open seasons

8 Open seasons for ruffed grouse are:

- (a) the Monday following Labour Day and the following consecutive 61 days in the South Game Bird District;
- (b) October 1 and the following consecutive days to the last of the 61 days mentioned in clause (a) in Estevan-Cambria and Lomond Wildlife Management Units and that portion of Douglas Provincial Park lying west of Diefenbaker Lake (Gordon Mackenzie Arm);
- (c) October 15 and the following consecutive days to the last of the 61 days mentioned in clause (a) in Elbow Wildlife Management Unit;
- (d) the Monday following Labour Day and the following consecutive 82 days in the North Game Bird District.

Spruce grouse open seasons

9 Open seasons for spruce grouse are:

- (a) the Monday following Labour Day and the following consecutive 61 days in the South Game Bird District;
- (b) October 1 and the following consecutive days to the last of the 61 days mentioned in clause (a) in Estevan-Cambria and Lomond Wildlife Management Units and that portion of Douglas Provincial Park lying west of Diefenbaker Lake (Gordon Mackenzie Arm);
- (c) October 15 and the following consecutive days to the last of the 61 days mentioned in clause (a) in Elbow Wildlife Management Unit;
- (d) the Monday following Labour Day and the following consecutive 82 days in the North Game Bird District.

Ptarmigan open season

10 Open season for ptarmigan is from the first Monday in November in one year to March 31 in the following year in the North Game Bird District.

Ducks, coots and Wilson's snipe open seasons

11 Open seasons for ducks, coots and Wilson's snipe are:

(a) from September 1 to the Saturday closest to December 12, or December 12 if it falls on a Saturday, in Fort-a-la-Corne and Horsehide Lake Wildlife Management Units, Clearwater River, Greenwater Lake, Lac La Ronge, Meadow Lake, Narrow Hills and Wildcat Hill Provincial Parks, that portion of Clarence-Steepbank Lakes Provincial Park lying outside the Candle Lake Game Preserve, and Bronson Forest and Round Lake Recreation Sites;

(b) from the Monday closest to September 14, or September 14 if it falls on a Monday, to the Saturday closest to December 12, or December 12 if it falls on a Saturday, in Duck Mountain and Moose Mountain Provincial Parks and Valeport Wildlife Management Unit.

Goose open seasons

12 Subject to sections 13 and 21, open seasons for geese are:

(a) from September 1 to the Saturday closest to December 12, or December 12 if it falls on a Saturday, in Fort-a-la-Corne and Horsehide Lake Wildlife Management Units, Clearwater River, Greenwater Lake, Lac La Ronge, Meadow Lake, Narrow Hills and Wildcat Hill Provincial Parks, that portion of Clarence-Steepbank Lakes Provincial Park lying outside the Candle Lake Game Preserve, and Bronson Forest and Round Lake Recreation Sites;

(b) from the Monday closest to September 14, or September 14 if it falls on a Monday, to the Saturday closest to December 12, or December 12 if it falls on a Saturday, in Duck Mountain and Moose Mountain Provincial Parks and Valeport Wildlife Management Unit.

Goose open seasons - restrictions

13 Subject to section 21, in Wildlife Management Zones 1 to 19, 21 to 59 and 67 to 69 and Saskatoon and Regina-Moose Jaw Wildlife Management Zones, the open season for geese from September 1 to the Sunday closest to October 21, or October 21 if it falls on a Sunday, includes only the part of each day from one-half hour before sunrise to noon.

Hunting with raptors

14(1) Any person may hunt migratory game birds by the use or with the aid of raptors in Wildlife Management Zones 1 to 19 and 21 to 76 and Saskatoon and Regina-Moose Jaw Wildlife Management Zones during any open season for migratory game birds.

(2) Subject to section 22, but notwithstanding any other provision of these regulations, a person may hunt upland game birds by the use or with the aid of raptors only from September 1 in one year to February 28 in the following year.

Sharp-tailed grouse limit

15 No person shall take or kill, in the open seasons established by section 5, more than three sharp-tailed grouse in any day or have more than six sharp-tailed grouse in his or her possession at any one time.

Hungarian partridge limit

16 No person shall take or kill, in the open seasons established by section 6, more than six Hungarian partridges in any day or have more than 12 Hungarian partridges in his or her possession at any one time.

Pheasant limit

17 No person shall take or kill, in the open seasons established by section 7, more than three cock pheasants in any day or have more than six cock pheasants in his or her possession at any one time.

Ruffed grouse limit

18 No person shall take or kill, in the open seasons established by section 8, more than 10 ruffed grouse in any day or have more than 20 ruffed grouse in his or her possession at any one time.

Spruce grouse limit

19 No person shall take or kill, in the open seasons established by section 9, more than 10 spruce grouse in any day or have more than 20 spruce grouse in his or her possession at any one time.

Ptarmigan limit

20 No person shall take or kill, in the open season established by section 10, more than 10 ptarmigan in any day or have more than 20 ptarmigan in his or her possession at any one time.

Certain hunting prohibited

21(1) No non-resident shall hunt sharp-tailed grouse or Hungarian partridge in Wildlife Management Zones 9 to 14 and 25 to 28.

(2) No Canadian resident shall hunt:

(a) Hungarian partridge from the first Monday in December and the following consecutive 19 days in Wildlife Management Zones 1 to 19, 24 and 31 and Regina-Moose Jaw Wildlife Management Zone;

(b) geese prior to the third Monday in September, in each year, in Wildlife Management Zones 1 to 19, 21 to 52, 54, 56 and 57 and Saskatoon and Regina-Moose Jaw Wildlife Management Zones.

(3) No non-resident shall hunt:

(a) Hungarian partridge from the first Monday in December and the following consecutive 19 days in Wildlife Management Zones 1 to 8, 15 to 19, 24 and 31 and Regina-Moose Jaw Wildlife Management Zone;

(b) geese prior to the third Monday in September, in each year, in Wildlife Management Zones 1 to 19, 21 to 52, 54, 56 and 57 and Saskatoon and Regina-Moose Jaw Wildlife Management Zones.

(4) Notwithstanding any other provision in these regulations, no person shall hunt any game birds in the Prince Albert Wildlife Management Zone.

Limit for certain upland game birds

22 No person who hunts upland game birds in the manner described in subsection 14(2) shall:

(a) daily take or kill any upland game birds in excess of the maximum number of those birds that may be taken or killed daily pursuant to these regulations;

(b) daily take or kill more than two upland game birds in any wildlife management zone during any time other than an open season for those birds in that zone.

R.R.S. c.W-13.1 Reg 60 repealed

23 *The Game Bird Open Seasons Regulations, 1994* are repealed.

Coming into force

24 These regulations come into force on the day on which they are filed with the Registrar of Regulations.

CHAPTER W-13.1 REG 63

The Wildlife Act

Subsection 63(2)

Minister's Order dated September 12, 1995

(Filed September 13, 1995)

Title

1 These regulations may be cited as *The Archery and Muzzle-loading Firearm Big Game Open Seasons Regulations, 1995*.

Interpretation

2 In these regulations:

- (a) “**Act**” means *The Wildlife Act*;
- (b) “**assigned operating area**” means the area of land defined in an outfitter's licence issued pursuant to *The Outfitter and Guide Regulations, 1988* where an outfitter is authorized to provide an outfitting service to hunt wildlife;
- (c) “**Canadian resident**” means a person who has his or her principal residence in Canada and who is a Canadian citizen or has resided in Canada for the 12 months preceding the date of his or her application for a licence;
- (d) “**Cypress Hills Provincial Park (West Block)**” means that portion of Cypress Hills Provincial Park adjoining the Alberta-Saskatchewan boundary;
- (e) “**Indian reserve**” means a reserve as defined in the *Indian Act* (Canada);
- (f) “**muzzle-loading firearm**” means a firearm that is loaded through the front opening of the barrel;
- (g) “**non-trophy elk**” means a female elk or an elk born during the year in which hunting is taking place;
- (h) “**non-trophy mule deer**” means a female mule deer or a mule deer born during the year in which hunting is taking place;
- (i) “**non-trophy white-tailed deer**” means a female white-tailed deer or a white-tailed deer born during the year in which hunting is taking place;
- (j) “**open season**” means an open season established pursuant to any regulations made pursuant to the Act during which it is lawful to hunt a particular species of wildlife;

- (k) “**protected area**” means a protected area constituted pursuant to *The Parks Act*;
- (l) “**provincial park**” means a provincial park constituted pursuant to *The Parks Act*;
- (m) “**recreation site**” means a recreation site constituted pursuant to *The Recreation Sites Regulations, 1991*;
- (n) “**Saskatchewan resident**” means a person who:
- (i) is a Canadian resident, has his or her principal residence in Saskatchewan and has resided in Saskatchewan for the three months preceding the date of his or her application for a licence; or
 - (ii) is a member of the regular force of the Canadian Armed Forces or of the Royal Canadian Mounted Police and is stationed and residing in Saskatchewan;
- (o) “**wildlife management unit**” means a wildlife management unit constituted by *The Wildlife Management Zones and Special Areas Boundaries Regulations, 1990*;
- (p) “**wildlife management zone**” means a wildlife management zone constituted by *The Wildlife Management Zones and Special Areas Boundaries Regulations, 1990*.

References

3 In these regulations:

- (a) references to all consecutive days include Sundays;
- (b) references to days and dates are inclusive unless otherwise specified;
- (c) references to wildlife management zones by number are inclusive;
- (d) references to licences are to licences issued pursuant to the Act and *The Wildlife Regulations, 1981*.

Restrictions and conditions re hunting

4 Every person who hunts pursuant to the authority of these regulations shall comply with any restrictions on and conditions relating to hunting contained in the Act, in these regulations and in any other regulations made pursuant to the Act, or specified on the person’s licence.

Archery seasons

5(1) Subject to subsection (2), no person shall hunt by any means other than a bow and arrow during any open season established pursuant to sections 6 to 11.

(2) It is lawful for a person to hunt with a muzzle-loading firearm during the open seasons established pursuant to sections 6 to 11 where the open seasons overlap with open seasons for muzzle-loading firearms established pursuant to sections 13 to 18.

White-tailed deer

6(1) It is lawful for a person who is the holder of a First Saskatchewan Resident White-tailed Deer Licence to hunt a total of one white-tailed deer of either sex:

- (a) on Labour Day and the following consecutive 54 days in Wildlife Management Zones 1 to 19 and 21 to 55 and Regina-Moose Jaw, Saskatoon and Prince Albert Wildlife Management Zones, including Brokenshell No. 1, Brokenshell No. 2, Elbow, Fort-a-la-Corne, Great Bend and Horsehide Lake Wildlife Management Units; or
- (b) on the Wednesday following Labour Day and the following consecutive 52 days in Cypress Hills (West Block), Duck Mountain, Greenwater Lake, Meadow Lake, Moose Mountain and Saskatchewan Landing Provincial Parks and that portion of Douglas Provincial Park lying west of Diefenbaker Lake (Gordon Mackenzie Arm).
- (2) It is lawful for a person who is the holder of a First Saskatchewan Resident White-tailed Deer Licence, a Second Saskatchewan Resident White-tailed Deer Licence, a First Canadian Resident White-tailed Deer Licence, a Second Canadian Resident White-tailed Deer Licence, a First Non-resident White-tailed Deer Licence or a Second Non-resident White-tailed Deer Licence to hunt a total of one white-tailed deer of either sex:
- (a) on the Monday closest to August 31, or August 31 if it falls on a Monday, and the following consecutive 61 days in Wildlife Management Zones 56 to 69, including Narrow Hills and Wildcat Hill Provincial Parks and that portion of Clarence-Steepbank Lakes Provincial Park lying outside the Candle Lake Game Preserve; or
- (b) on the Wednesday following Labour Day and the following consecutive 59 days in Greenwater Lake and Meadow Lake Provincial Parks.
- (3) It is lawful for a person who is the holder of a First Saskatchewan Resident White-tailed Deer Licence, a First Canadian Resident White-tailed Deer Licence or a First Non-resident White-tailed Deer Licence to hunt a total of one white-tailed deer of either sex on the Monday closest to August 24, or August 24 if it falls on a Monday, and the following consecutive 103 days in Wildlife Management Zones 70 to 76, including Clearwater River and Lac La Ronge Provincial Parks.
- (4) It is lawful for a person who is the holder of a First Canadian Resident White-tailed Deer Licence or a First Non-resident White-tailed Deer Licence to hunt a total of one white-tailed deer of either sex on the Monday closest to August 31, or August 31 if it falls on a Monday, and the following consecutive 61 days in those portions of Wildlife Management Zones 48 to 50, 53 and 55 that comprise the assigned operating area of the outfitter with which the licence holder is hunting.
- (5) It is lawful for a person who is a Saskatchewan resident and who holds a First Saskatchewan Non-trophy White-tailed Deer Licence to hunt a total of one non-trophy white-tailed deer:
- (a) on Labour Day and the following consecutive 54 days in Wildlife Management Zones 1 to 5, 7 to 19, 21, 31 to 39 and 49 and Regina-Moose Jaw and Saskatoon Wildlife Management Zones, including Brokenshell No. 1 and Brokenshell No. 2 Wildlife Management Units; or
- (b) on the Wednesday following Labour Day and the following consecutive 52 days in Cypress Hills (West Block), Duck Mountain, Moose Mountain and Saskatchewan Landing Provincial Parks.

(6) It is lawful for a person who is a Saskatchewan resident and who holds a Second Saskatchewan Non-trophy White-tailed Deer Licence to hunt a total of one non-trophy white-tailed deer:

- (a) on Labour Day and the following consecutive 54 days in:
 - (i) Wildlife Management Zones 4, 32, 33 and 35;
 - (ii) that portion of Wildlife Management Zone 1 lying west of Provincial Highway No. 34;
 - (iii) those portions of Wildlife Management Zones 31 and 34 lying east of Provincial Highway No. 9; and
 - (iv) the Regina-Moose Jaw and Saskatoon Wildlife Management Zones;or
- (b) on the Wednesday following Labour Day and the following consecutive 52 days in Moose Mountain Provincial Park.

(7) It is lawful during the period specified in subsection 7(1) for a person who is the holder of a Saskatchewan Resident Elk Licence and who also holds a First Saskatchewan Resident White-tailed Deer Licence or a Second Saskatchewan Resident White-tailed Deer Licence to hunt a total of one white-tailed deer of either sex in Wildlife Management Zones 56 to 66 and 69, including Meadow Lake, Narrow Hills and Wildcat Hill Provincial Parks and that portion of Clarence-Steepbank Lakes Provincial Park lying outside the Candle Lake Game Preserve.

Elk

7(1) It is lawful for a person who is the holder of a Saskatchewan Resident Regular Elk Licence to hunt a total of one elk of either sex on the Monday closest to August 24, or August 24 if it falls on a Monday, and the following consecutive 12 days, or on the Monday closest to September 27, or September 27 if it falls on a Monday, and the following consecutive five days, in:

- (a) Wildlife Management Zones 48 to 50, 53, 56 to 66, 68 South and 69, including Meadow Lake, Narrow Hills and Wildcat Hill Provincial Parks and that portion of Clarence-Steepbank Lakes Provincial Park lying outside the Candle Lake Game Preserve;
- (b) that portion of Wildlife Management Zone 47 lying north of Provincial Highway No. 3 and west of Provincial Highway No. 26;
- (c) that portion of Wildlife Management Zone 47 lying north of Provincial Highway No. 3, east of Provincial Highway No. 4 and west of Grid Road No. 696; and
- (d) that portion of Wildlife Management Zone 67 lying east of Provincial Highway No. 4 and Grid Road No. 696 and south of the Fourteenth Baseline.

(2) It is lawful for a person who is the holder of a Saskatchewan Resident Special Elk Licence to hunt a total of one elk of either sex:

- (a) on the seventh day after Labour Day and the following consecutive five days in Wildlife Management Zones 33, 37, 40, 42 and 43, including Duck Mountain and Moose Mountain Provincial Parks;

- (b) on the Monday closest to August 31, or August 31 if it falls on a Monday, and the following consecutive 19 days in:
 - (i) Fort-a-la-Corne Wildlife Management Unit; and
 - (ii) Wildlife Management Zone 52 and that portion of Wildlife Management Zone 54 lying east of Provincial Highway No. 40; or
 - (c) on the Wednesday following Labour Day and the following consecutive 17 days in Greenwater Lake Provincial Park.
- (3) It is lawful for a person who is the holder of a Saskatchewan Resident Special Elk Licence to hunt a total of one non-trophy elk on the Monday closest to October 25, or October 25 if it falls on a Monday, and the following consecutive five days in Greenwater Lake Provincial Park and Horsehide Lake Wildlife Management Unit.
- (4) It is lawful for a person who is the holder of a Saskatchewan Resident Regular Elk Licence to hunt a total of one elk of either sex in Horsehide Lake Wildlife Management Unit:
- (a) on the Monday closest to August 24, or August 24 if it falls on a Monday, and the following consecutive 12 days;
 - (b) on the Monday closest to September 14, or September 14 if it falls on a Monday, and the following consecutive 19 days; or
 - (c) on the Monday closest to October 25, or October 25 if it falls on a Monday, and the following consecutive five days.

Moose

- 8(1)** It is lawful for a person who is the holder of a Saskatchewan Resident Moose Licence to hunt a total of one moose of either sex:
- (a) on the Monday closest to September 20, or September 20 if it falls on a Monday, and the following consecutive 12 days in:
 - (i) Wildlife Management Zones 37, 43, 48 to 50, 53 and 55 to 73; and
 - (ii) that portion of Clearwater River Provincial Park lying south of 57 degrees north latitude, Duck Mountain, Lac La Ronge, Meadow Lake, Narrow Hills and Wildcat Hill Provincial Parks and that portion of Clarence-Steepbank Lakes Provincial Park lying outside the Candle Lake Game Preserve; or
 - (b) on the Monday closest to August 24, or August 24 if it falls on a Monday, and the following consecutive 47 days in Wildlife Management Zones 74 to 76, including that portion of Clearwater River Provincial Park lying north of 57 degrees north latitude.
- (2) It is lawful for a person who is the holder of a Saskatchewan Resident Special Moose Licence to hunt a total of one moose of either sex on the Monday closest to September 20, or September 20 if it falls on a Monday, and the following consecutive 12 days in:
- (a) Wildlife Management Zone 37;

- (b) that portion of Wildlife Management Zone 47 lying north of Provincial Highway No. 3 and west of Provincial Highway No. 26; and
 - (c) Wildlife Management Zones 48, 49, 53, 56 to 59, 62 to 67, 68 North and 68 South, including Fort-a-la-Corne Wildlife Management Unit, Duck Mountain, Greenwater Lake, Narrow Hills and Wildcat Hill Provincial Parks and that portion of Clarence-Steepbank Lakes Provincial Park lying outside the Candle Lake Game Preserve.
- (3) It is lawful for a person who is the holder of a Saskatchewan Guided Moose Licence to hunt a total of one moose of either sex:
- (a) on the Monday closest to September 20, or September 20 if it falls on a Monday, and the following consecutive 12 days in Wildlife Management Zones 60 to 62, 69 and 70 to 73, including Lac La Ronge Provincial Park and that portion of Clearwater River Provincial Park lying south of 57 degrees north latitude; or
 - (b) on the Monday closest to August 24, or August 24 if it falls on a Monday, and the following consecutive 47 days in Wildlife Management Zones 74 to 76, including that portion of Clearwater River Provincial Park lying north of 57 degrees north latitude.

Antelope

- 9** It is lawful for a person who is the holder of a Saskatchewan Resident Special Antelope Licence to hunt a total of one antelope of either sex:
- (a) on Labour Day and the following consecutive 40 days in Wildlife Management Zones 1 to 13, 15, 18, 19, 25 and 26 and that portion of Wildlife Management Zone 14 lying west of Provincial Highway No. 4; or
 - (b) on the Wednesday following Labour Day and the following consecutive 38 days in Saskatchewan Landing Provincial Park.

Mule Deer

- 10(1)** It is lawful for a person who is the holder of a Saskatchewan Resident Mule Deer Archery Licence to hunt a total of one mule deer of either sex:
- (a) on Labour Day and the following consecutive 40 days in Wildlife Management Zones 1 to 8, 13 to 19, 21 to 31, 33, 36, 40, 41, 44 to 47 and 55 and Regina-Moose Jaw and Saskatoon Wildlife Management Zones, including Brokenshell No. 1, Brokenshell No. 2, Elbow and Great Bend Wildlife Management Units; or
 - (b) on the Wednesday following Labour Day and the following consecutive 38 days in Cypress Hills (West Block) and Saskatchewan Landing Provincial Parks and that portion of Douglas Provincial Park lying west of Diefenbaker Lake (Gordon Mackenzie Arm).
- (2) It is lawful for a person who is the holder of a Saskatchewan Resident Special Mule Deer Licence to hunt a total of one mule deer of either sex:
- (a) on Labour Day and the following consecutive 40 days in Wildlife Management Zones 1 to 19, 21 to 31, 33, 36, 40, 41, 44 to 47, 54 and 55 and Regina-Moose Jaw and Saskatoon Wildlife Management Zones, including Brokenshell No. 1, Brokenshell No. 2, Elbow and Great Bend Wildlife Management Units; or

(b) on the Wednesday following Labour Day and the following consecutive 38 days in Cypress Hills (West Block) and Saskatchewan Landing Provincial Parks and that portion of Douglas Provincial Park lying west of Diefenbaker Lake (Gordon Mackenzie Arm).

(3) It is lawful for a person who is the holder of a Saskatchewan Resident Special Non-trophy Mule Deer Licence to hunt a total of one non-trophy mule deer:

(a) on Labour Day and the following consecutive 40 days in Wildlife Management Zones 1 to 3, 6, 7, 13, 14, 19, 23, 24, 45 and 46 and Regina-Moose Jaw Wildlife Management Zone, including Elbow Wildlife Management Unit; or

(b) on the Wednesday following Labour Day and the following consecutive 38 days in Cypress Hills (West Block) and Saskatchewan Landing Provincial Parks and that portion of Douglas Provincial Park lying west of Diefenbaker Lake (Gordon Mackenzie Arm).

Bear

11 It is lawful for a person who is the holder of a Saskatchewan Resident Bear Licence, a Canadian Resident Bear Licence or a Non-Resident Bear Licence to hunt a total of one black bear of either sex at the times and places mentioned in section 10 of *The Big Game Open Seasons Regulations, 1995* and in section 4 of *The Spring Bear Open Seasons Regulations, 1988*.

Muzzle-loading firearm seasons

12 No person shall hunt by any means other than a muzzle-loading firearm during any open season established pursuant to sections 13 to 18.

White-tailed deer

13(1) It is lawful for a person who is the holder of a First Saskatchewan Resident White-tailed Deer Licence to hunt a total of one white-tailed deer of either sex on the twenty-eighth day following Labour Day and the following consecutive 26 days in:

(a) Wildlife Management Zones 1 to 19 and 21 to 55 and Regina-Moose Jaw and Saskatoon Wildlife Management Zones, including Brokenshell No. 1, Brokenshell No. 2, Elbow, Fort-a-la-Corne, Great Bend and Horsehide Lake Wildlife Management Units; and

(b) Cypress Hills (West Block), Duck Mountain, Moose Mountain and Saskatchewan Landing Provincial Parks and that portion of Douglas Provincial Park lying west of Diefenbaker Lake (Gordon Mackenzie Arm).

(2) It is lawful for a person who is the holder of a First Saskatchewan Resident White-tailed Deer Licence, a Second Saskatchewan Resident White-tailed Deer Licence, a First Canadian Resident White-tailed Deer Licence, a Second Canadian Resident White-tailed Deer Licence, a First Non-resident White-tailed Deer Licence or a Second Non-resident White-tailed Deer Licence to hunt a total of one white-tailed deer of either sex on the seventh day following Labour Day and the following consecutive 47 days in Wildlife Management Zones 56 to 69, including Greenwater Lake, Meadow Lake, Narrow Hills and Wildcat Hill Provincial Parks and that portion of Clarence-Steepbank Lakes Provincial Park lying outside the Candle Lake Game Preserve.

(3) It is lawful for a person who is the holder of a First Saskatchewan Resident White-tailed Deer Licence, a First Canadian Resident White-tailed Deer Licence or a First Non-resident White-tailed Deer Licence to hunt a total of one white-tailed deer of either sex on the Monday closest to August 24, or August 24 if it falls on a Monday, and the following consecutive 103 days in Wildlife Management Zones 70 to 76, including Clearwater River and Lac La Ronge Provincial Parks.

(4) It is lawful for a person who is the holder of a First Canadian Resident White-tailed Deer Licence or a First Non-resident White-tailed Deer Licence to hunt a total of one white-tailed deer of either sex on the seventh day following Labour Day and the following consecutive 47 days in those portions of Wildlife Management Zones 48 to 50, 53 and 55 that comprise the assigned operating area of the outfitter with which the licence holder is hunting.

(5) It is lawful for a person who is a Saskatchewan resident and who holds a First Saskatchewan Non-trophy White-tailed Deer Licence to hunt a total of one non-trophy white-tailed deer on the twenty-eighth day following Labour Day and the following consecutive 26 days in:

(a) Wildlife Management Zones 1 to 5, 7 to 19, 21, 31 to 39 and 49 and Regina-Moose Jaw and Saskatoon Wildlife Management Zones, including Brokenshell No. 1 and Brokenshell No. 2 Wildlife Management Units; and

(b) Cypress Hills (West Block), Duck Mountain, Moose Mountain and Saskatchewan Landing Provincial Parks.

(6) It is lawful for a person who is a Saskatchewan resident and who holds a Second Saskatchewan Non-trophy White-tailed Deer Licence to hunt a total of one non-trophy white-tailed deer on the twenty-eighth day following Labour Day and the following consecutive 26 days in:

(a) Wildlife Management Zones 4, 32, 33 and 35, including Moose Mountain Provincial Park;

(b) that portion of Wildlife Management Zone 1 lying west of Provincial Highway No. 34;

(c) those portions of Wildlife Management Zones 31 and 34 lying east of Provincial Highway No. 9; and

(d) the Regina-Moose Jaw and Saskatoon Wildlife Management Zones.

Elk

14(1) It is lawful for a person who is the holder of a Saskatchewan Resident Special Elk Licence to hunt a total of one elk of either sex:

(a) on the twenty-eighth day following Labour Day and the following consecutive five days in Wildlife Management Zones 33, 37, 40, 42 and 43, including Duck Mountain and Moose Mountain Provincial Parks; or

(b) on the Monday closest to August 31, or August 31 if it falls on a Monday, and the following consecutive 19 days in:

(i) Fort-a-la-Corne Wildlife Management Unit; and

(ii) Wildlife Management Zone 52 and that portion of Wildlife Management Zone 54 lying east of Provincial Highway No. 40; or

(c) on the Wednesday following Labour Day and the following consecutive 17 days in Greenwater Lake Provincial Park.

(2) It is lawful for a person who is the holder of a Saskatchewan Resident Special Elk Licence to hunt a total of one non-trophy elk on the Monday closest to October 25, or October 25 if it falls on a Monday, and the following consecutive five days in Greenwater Lake Provincial Park.

Moose

15 It is lawful for a person who is the holder of a Saskatchewan Resident Special Moose Licence to hunt a total of one moose of either sex on the Monday closest to September 20, or September 20 if it falls on a Monday, and the following consecutive 12 days in:

- (a) Wildlife Management Zone 37;
- (b) that portion of Wildlife Management Zone 47 lying north of Provincial Highway No. 3 and west of Provincial Highway No. 26; and
- (c) Wildlife Management Zones 48, 49, 53, 56 to 59, 62 to 67, 68 North and 68 South, including Fort-a-la-Corne Wildlife Management Unit, Duck Mountain, Greenwater Lake, Narrow Hills and Wildcat Hill Provincial Parks and that portion of Clarence-Steepbank Lakes Provincial Park lying outside the Candle Lake Game Preserve.

Antelope

16 It is lawful for a person who is the holder of a Saskatchewan Resident Special Antelope Licence to hunt a total of one antelope of either sex on the twenty-eighth day following Labour Day and the following consecutive 12 days in Wildlife Management Zones 1, 2, 4 to 13, 15, 18, 19, 25 and 26 and that portion of Wildlife Management Zone 14 lying west of Provincial Highway No. 4, including Saskatchewan Landing Provincial Park.

Mule Deer

17(1) It is lawful for a person who is the holder of a Saskatchewan Resident Special Mule Deer Licence to hunt a total of one mule deer of either sex on the twenty-eighth day following Labour Day and the following consecutive 12 days in Wildlife Management Zones 1 to 19, 21 to 31, 33, 36, 40, 41, 44 to 47, 54 and 55 and Regina-Moose Jaw and Saskatoon Wildlife Management Zones, including Brokenshell No. 1, Brokenshell No. 2, Elbow and Great Bend Wildlife Management Units, Cypress Hills (West Block) and Saskatchewan Landing Provincial Parks and that portion of Douglas Provincial Park lying west of Diefenbaker Lake (Gordon Mackenzie Arm).

(2) It is lawful for a person who is the holder of a Saskatchewan Resident Special Non-trophy Mule Deer Licence to hunt a total of one non-trophy mule deer on the twenty-eighth day following Labour Day and the following consecutive 12 days in Wildlife Management Zones 1 to 3, 6, 7, 13, 14, 19, 23, 24, 45 and 46 and Regina-Moose Jaw Wildlife Management Zone, including Elbow Wildlife Management Unit, Cypress Hills (West Block) and Saskatchewan Landing Provincial Parks and that portion of Douglas Provincial Park lying west of Diefenbaker Lake (Gordon Mackenzie Arm).

Bear

18 It is lawful for a person who is the holder of a Saskatchewan Resident Bear Licence, a Canadian Resident Bear Licence or a Non-Resident Bear Licence to hunt a total of one black bear of either sex at the times and places specified in section 10 of *The Big Game Open Seasons Regulations, 1995* and in section 4 of *The Spring Bear Open Seasons Regulations, 1988*.

Protected areas and recreation sites

19 Where a wildlife management zone is opened for hunting a species of big game pursuant to clause 6(2)(a), section 7 or 8, subsection 13(2) or section 14 or 15, the following protected areas and recreation sites lying within that wildlife management zone are deemed to be open for hunting that species on the Wednesday following Labour Day and closed on the last day of the season for that species:

- (a) Anderson Island Protected Area;
- (b) Bronson Forest Recreation Site;
- (c) Round Lake Recreation Site;
- (d) Waskwei River Protected Area;
- (e) Wildcat Hill Protected Area.

R.R.S. W-13.1 Reg 61 repealed

20 *The Archery and Muzzle-loading Firearm Big Game Open Seasons Regulations, 1994* are repealed.

Coming into force

21 These regulations come into force on the day on which they are filed with the Registrar of Regulations.

CHAPTER W-13.1 REG 64

The Wildlife Act

Subsection 63(2)

Minister's Order dated September 12, 1995

(Filed September 13, 1995)

Title

1 These regulations may be cited as *The Big Game Open Seasons Regulations, 1995*.

Interpretation

2 In these regulations:

- (a) "**Act**" means *The Wildlife Act*;
- (b) "**antlered elk**" means an elk having an antler at least 15 centimetres in length as measured on the outside curve of the antler from the skull to the tip;
- (c) "**assigned operating area**" means the area of land defined in an outfitter's licence issued pursuant to *The Outfitter and Guide Regulations, 1988* where an outfitter is authorized to provide an outfitting service to hunt wildlife;

- (d) “**bull moose**” means a male moose that is at least one year old;
- (e) “**calf moose**” means any moose born during the year in which hunting is taking place;
- (f) “**Canadian resident**” means a person who has his or her principal residence in Canada and who is a Canadian citizen or has resided in Canada for the 12 months preceding the date of his or her application for a licence;
- (g) “**Cypress Hills Provincial Park (West Block)**” means that portion of Cypress Hills Provincial Park adjoining the Alberta-Saskatchewan boundary;
- (h) “**Indian Band**” means a band as defined in the *Indian Act* (Canada) and includes the council of a band;
- (i) “**Indian reserve**” means a reserve as defined in the *Indian Act* (Canada);
- (j) “**muzzle-loading firearm**” means a firearm that is loaded through the front opening of the barrel;
- (k) “**non-resident**” means a person who is neither a Saskatchewan resident nor a Canadian resident;
- (l) “**non-trophy elk**” means a female elk or an elk born during the year in which hunting is taking place;
- (m) “**non-trophy mule deer**” means a female mule deer or a mule deer born during the year in which hunting is taking place;
- (n) “**non-trophy white-tailed deer**” means a female white-tailed deer or a white-tailed deer born during the year in which hunting is taking place;
- (o) “**open season**” means an open season established pursuant to any regulations made pursuant to the Act during which it is lawful to hunt a particular species of wildlife;
- (p) “**protected area**” means a protected area constituted pursuant to *The Parks Act*;
- (q) “**provincial park**” means a provincial park constituted pursuant to *The Parks Act*;
- (r) “**recreation site**” means a recreation site constituted pursuant to *The Recreation Sites Regulations, 1991*;
- (s) “**Saskatchewan resident**” means a person who:
- (i) is a Canadian resident, has his or her principal residence in Saskatchewan and has resided in Saskatchewan for the three months preceding the date of his or her application for a licence; or
 - (ii) is a member of the regular force of the Canadian Armed Forces or of the Royal Canadian Mounted Police and is stationed and residing in Saskatchewan;
- (t) “**special**” means, with respect to a licence, a big game computer draw licence issued in accordance with Part IX of *The Wildlife Regulations, 1981* and these regulations;

(u) “**wildlife management unit**” means a wildlife management unit constituted by *The Wildlife Management Zones and Special Areas Boundaries Regulations, 1990*;

(v) “**wildlife management zone**” means a wildlife management zone constituted by *The Wildlife Management Zones and Special Areas Boundaries Regulations, 1990*.

References

3 In these regulations:

- (a) references to dates are inclusive;
- (b) references to wildlife management zones by number are inclusive;
- (c) references to licences are to licences issued pursuant to the Act and *The Wildlife Regulations, 1981*.

Validity of licence

4 A licence permits its holder to hunt pursuant to these regulations only during the year in which it is issued.

Restrictions and conditions re hunting

5 Every person who hunts pursuant to the authority of these regulations shall comply with any restrictions on and conditions relating to hunting contained in the Act, in these regulations and in any other regulations made pursuant to the Act, or specified on the person’s licence.

SASKATCHEWAN RESIDENT BIG GAME OPEN SEASONS

White-tailed deer

6(1) Subject to subsection (2):

(a) a holder of a First Saskatchewan Resident White-tailed Deer Licence may hunt white-tailed deer of either sex in:

(i) Wildlife Management Zones 1 to 19, 21 to 41 and 44 to 46 and Regina-Moose Jaw and Saskatoon Wildlife Management Zones, including Brokenshell No. 1, Brokenshell No. 2, Elbow, Estevan-Cambria and Lomond Wildlife Management Units, Cypress Hills (West Block), Duck Mountain, Moose Mountain and Saskatchewan Landing Provincial Parks and that portion of Douglas Provincial Park lying west of Lake Diefenbaker (Gordon MacKenzie Arm), from:

- (A) November 13 to December 2 in 1995;
- (B) November 18 to December 7 in 1996;
- (C) November 17 to December 6 in 1997;
- (D) November 16 to December 5 in 1998;

(ii) Wildlife Management Zones 56 to 66 and 69, including Greenwater Lake, Meadow Lake, Narrow Hills and Wildcat Hill Provincial Parks and that portion of Clarence-Steepbank Lakes Provincial Park lying outside the Candle Lake Game Preserve, from:

- (A) September 25 to October 7 in 1995;
 - (B) September 30 to October 12 in 1996;
 - (C) September 29 to October 11 in 1997;
 - (D) September 28 to October 10 in 1998;
- (iii) Wildlife Management Zones 42, 43 and 47 to 69 and Prince Albert Wildlife Management Zone, including Fort-a-la-Corne, Great Bend and Horsehide Lake Wildlife Management Units, Greenwater Lake, Meadow Lake, Narrow Hills and Wildcat Hill Provincial Parks and that portion of Clarence-Steepbank Lakes Provincial Park lying outside the Candle Lake Game Preserve, from:
- (A) October 30 to December 2 in 1995;
 - (B) November 4 to December 7 in 1996;
 - (C) November 3 to December 6 in 1997;
 - (D) November 2 to December 5 in 1998;
- (iv) Wildlife Management Zones 70 to 76, including Clearwater River and Lac La Ronge Provincial Parks, from:
- (A) August 21 to December 2 in 1995;
 - (B) August 26 to December 7 in 1996;
 - (C) August 25 to December 6 in 1997;
 - (D) August 24 to December 5 in 1998;
- (b) a holder of a Second Saskatchewan Resident White-tailed Deer Licence may hunt white-tailed deer of either sex in:
- (i) Wildlife Management Zones 56 to 66 and 69, including Greenwater Lake, Meadow Lake, Narrow Hills and Wildcat Hill Provincial Parks and that portion of Clarence-Steepbank Lakes Provincial Park lying outside the Candle Lake Game Preserve, from:
 - (A) September 25 to October 7 in 1995;
 - (B) September 30 to October 12 in 1996;
 - (C) September 29 to October 11 in 1997;
 - (D) September 28 to October 10 in 1998;
 - (ii) Wildlife Management Zones 56 to 69, including Greenwater Lake, Meadow Lake, Narrow Hills and Wildcat Hill Provincial Parks and that portion of Clarence-Steepbank Lakes Provincial Park lying outside the Candle Lake Game Preserve, from:
 - (A) October 30 to December 2 in 1995;
 - (B) November 4 to December 7 in 1996;
 - (C) November 3 to December 6 in 1997;
 - (D) November 2 to December 5 in 1998;

(c) a Saskatchewan resident who holds a First Saskatchewan Non-trophy White-tailed Deer Licence may hunt non-trophy white-tailed deer in Wildlife Management Zones 1 to 5, 7 to 19, 21, 31 to 39 and 49 and Regina-Moose Jaw and Saskatoon Wildlife Management Zones, including Brokenshell No. 1, Brokenshell No. 2, Estevan-Cambria and Lomond Wildlife Management Units and Cypress Hills (West Block), Duck Mountain, Moose Mountain and Saskatchewan Landing Provincial Parks, from:

- (i) November 13 to December 2 in 1995;
- (ii) November 18 to December 7 in 1996;
- (iii) November 17 to December 6 in 1997;
- (iv) November 16 to December 5 in 1998;

(d) a Saskatchewan resident who holds a Second Saskatchewan Non-trophy White-tailed Deer Licence may hunt non-trophy white-tailed deer in Wildlife Management Zones 4, 32, 33 and 35, Regina-Moose Jaw and Saskatoon Wildlife Management Zones, that portion of Wildlife Management Zone 1 lying west of Provincial Highway No. 34 and those portions of Wildlife Management Zones 31 and 34 lying east of Provincial Highway No. 9, including Moose Mountain Provincial Park, from:

- (i) November 13 to December 2 in 1995;
- (ii) November 18 to December 7 in 1996;
- (iii) November 17 to December 6 in 1997;
- (iv) November 16 to December 5 in 1998;

(e) a Saskatchewan resident who holds a First Saskatchewan Resident White-tailed Deer Licence, a Second Saskatchewan Resident White-tailed Deer Licence, a First Saskatchewan Non-trophy White-tailed Deer Licence or a Second Saskatchewan Non-trophy White-tailed Deer Licence may hunt non-trophy white-tailed deer in Wildlife Management Zones 4, 32, 33 and 35, Regina-Moose Jaw and Saskatoon Wildlife Management Zones, that portion of Wildlife Management Zone 1 lying west of Provincial Highway No. 34 and those portions of Wildlife Management Zones 31 and 34 lying east of Provincial Highway No. 9, including Moose Mountain Provincial Park, from:

- (i) December 4 to December 9 in 1995;
- (ii) December 9 to December 14 in 1996;
- (iii) December 8 to December 13 in 1997;
- (iv) December 7 to December 12 in 1998;

(f) a holder of a Guided Moose Licence who also holds a First Saskatchewan Resident White-tailed Deer Licence or a Second Saskatchewan Resident White-tailed Deer Licence may hunt white-tailed deer of either sex in Wildlife Management Zones 60 to 62 and 69 from:

- (i) October 9 to October 21 in 1995;
- (ii) October 14 to October 26 in 1996;

(iii) October 13 to October 25 in 1997;

(iv) October 12 to October 24 in 1998;

(g) a holder of a Saskatchewan Resident Special Moose Licence who also holds a First Saskatchewan Resident White-tailed Deer Licence or a Second Saskatchewan Resident White-tailed Deer Licence may hunt white-tailed deer of either sex in one of the following zones specified on the moose licence, namely, Wildlife Management Zones 56 to 67, including Greenwater Lake Provincial Park and that portion of Clarence-Steepbank Lakes Provincial Park lying outside the Candle Lake Game Preserve, from:

(i) September 18 to September 23 in 1995;

(ii) September 23 to September 28 in 1996;

(iii) September 22 to September 27 in 1997;

(iv) September 21 to September 26 in 1998;

(h) a holder of a Saskatchewan Resident Special Moose Licence valid to hunt in Fort-a-la-Corne Wildlife Management Unit who also holds a First Saskatchewan Resident White-tailed Deer Licence may hunt white-tailed deer of either sex in Fort-a-la-Corne Wildlife Management Unit from:

(i) September 18 to September 30 in 1995;

(ii) September 23 to October 5 in 1996;

(iii) September 22 to October 4 in 1997;

(iv) September 18 to October 3 in 1998;

(i) a holder of a Saskatchewan Resident Elk Licence who also holds a First Saskatchewan Resident White-tailed Deer Licence or a Second Saskatchewan Resident White-tailed Deer Licence may hunt white-tailed deer of either sex in:

(i) Wildlife Management Zones 56 to 66 and 69, including Meadow Lake Provincial Park and that portion of Clarence-Steepbank Lakes Provincial Park lying outside the Candle Lake Game Preserve, from:

(A) September 11 to September 23 in 1995;

(B) September 16 to September 28 in 1996;

(C) September 15 to September 27 in 1997;

(D) September 14 to September 26 in 1998;

(ii) Wildlife Management Zones 48, 49 and 56 to 59, including Greenwater Lake and Wildcat Hill Provincial Parks and Horsehide Lake Wildlife Management Unit, from:

(A) October 9 to October 14 in 1995;

(B) October 14 to October 19 in 1996;

(C) October 13 to October 18 in 1997;

(D) October 12 to October 17 in 1998;

(j) a holder of a Saskatchewan Resident Special Elk Licence valid to hunt in Fort-a-la-Corne Wildlife Management Unit who also holds a First Saskatchewan Resident White-tailed Deer Licence may hunt white-tailed deer of either sex in Fort-a-la-Corne Wildlife Management Unit from:

- (i) August 28 to September 16 in 1995;
- (ii) September 2 to September 21 in 1996;
- (iii) September 1 to September 20 in 1997;
- (iv) August 31 to September 19 in 1998.

(2) No person who hunts white-tailed deer during any open season established by subsection (1) shall hunt any white-tailed deer:

- (a) in Prince Albert Wildlife Management Zone, except by means of a bow and arrow; or
- (b) in Great Bend Wildlife Management Unit and Saskatchewan Landing Provincial Park, except by means of a muzzle-loading firearm or a bow and arrow.

Elk

7(1) A holder of a Saskatchewan Resident Elk Licence may hunt:

- (a) antlered elk in:
 - (i) Wildlife Management Zones 48 to 50, 53, 56 to 66, 68 South and 69, including Meadow Lake, Narrow Hills and Wildcat Hill Provincial Parks and that portion of Clarence-Steepbank Lakes Provincial Park lying outside the Candle Lake Game Preserve, from:
 - (A) September 11 to September 23 in 1995;
 - (B) September 16 to September 28 in 1996;
 - (C) September 15 to September 27 in 1997;
 - (D) September 14 to September 26 in 1998;
 - (ii) that portion of Wildlife Management Zone 47 lying north of Provincial Highway No. 3 and west of Provincial Highway No. 26 from:
 - (A) September 11 to September 23 in 1995;
 - (B) September 16 to September 28 in 1996;
 - (C) September 15 to September 27 in 1997;
 - (D) September 14 to September 26 in 1998;
 - (iii) that portion of Wildlife Management Zone 47 lying north of Provincial Highway No. 3, east of Provincial Highway No. 4 and west of Grid Road No. 696 from:
 - (A) September 11 to September 23 in 1995;
 - (B) September 16 to September 28 in 1996;

- (C) September 15 to September 27 in 1997;
- (D) September 14 to September 26 in 1998;
- (iv) that portion of Wildlife Management Zone 67 lying east of Provincial Highway No. 4, west of Grid Road No. 696 and south of the Fourteenth Baseline from:
 - (A) September 11 to September 23 in 1995;
 - (B) September 16 to September 28 in 1996;
 - (C) September 15 to September 27 in 1997;
 - (D) September 14 to September 26 in 1998;
- (b) elk of either sex in:
 - (i) Wildlife Management Zones 48, 49 and 56 to 59, including Wildcat Hill Provincial Park, from:
 - (A) September 18 to September 23 in 1995;
 - (B) September 23 to September 28 in 1996;
 - (C) September 22 to September 27 in 1997;
 - (D) September 21 to September 26 in 1998;
 - (ii) that portion of Wildlife Management Zone 53 lying east of Provincial Highway No. 55 from:
 - (A) November 13 to November 25 in 1995;
 - (B) November 18 to November 30 in 1996;
 - (C) November 17 to November 29 in 1997;
 - (D) November 16 to November 28 in 1998.
- (2) A holder of a Saskatchewan Resident Elk Licence who also holds a Saskatchewan Resident Big Game Depredation Licence issued pursuant to section 38.1 of *The Wildlife Regulations, 1981* may hunt non-trophy elk during the times and in the places specified on the Saskatchewan Resident Big Game Depredation Licence.

Moose

- 8(1)** A holder of a Saskatchewan Resident Moose Licence may hunt bull moose or calf moose in:
 - (a) Wildlife Management Zones 43, 48 to 50, 53, 56 to 67 and 69, including Meadow Lake, Narrow Hills and Wildcat Hill Provincial Parks and that portion of Clarence-Steepbank Lakes Provincial Park lying outside the Candle Lake Game Preserve, from:
 - (i) October 2 to October 7 in 1995;
 - (ii) October 7 to October 12 in 1996;
 - (iii) October 6 to October 11 in 1997;
 - (iv) October 5 to October 10 in 1998;

- (b) Wildlife Management Zones 70 to 73, including Lac La Ronge Provincial Park and that portion of Clearwater River Provincial Park lying south of 57° latitude, from:
 - (i) September 4 to September 16 and October 2 to November 25 in 1995;
 - (ii) September 9 to September 21 and October 7 to November 30 in 1996;
 - (iii) September 8 to September 20 and October 6 to November 29 in 1997;
 - (iv) September 7 to September 19 and October 5 to November 28 in 1998;
 - (c) Wildlife Management Zones 74 to 76 and that portion of Clearwater River Provincial Park lying north of 57° latitude from:
 - (i) August 21 to October 7 in 1995;
 - (ii) August 26 to October 12 in 1996;
 - (iii) August 25 to October 11 in 1997;
 - (iv) August 24 to October 10 in 1998;
 - (d) Wildlife Management Zones 48, 49 and 56 to 59, including Wildcat Hill Provincial Park, from:
 - (i) November 13 to November 25 in 1995;
 - (ii) November 18 to November 30 in 1996;
 - (iii) November 17 to November 29 in 1997;
 - (iv) November 16 to November 28 in 1998;
 - (e) that portion of Wildlife Management Zone 47 lying north of Provincial Highway No. 3 and west of Provincial Highway No. 26 and Wildlife Management Zones 43, 50, 53, 55 and 60 to 69, including Meadow Lake and Narrow Hills Provincial Parks and that portion of Clarence-Steepbank Lakes Provincial Park lying outside the Candle Lake Game Preserve, from:
 - (i) November 13 to November 18 in 1995;
 - (ii) November 18 to November 23 in 1996;
 - (iii) November 17 to November 22 in 1997;
 - (iv) November 16 to November 21 in 1998.
- (2) A Saskatchewan Resident who holds a Canadian Resident Guided Moose Licence may hunt bull moose or calf moose in:
- (a) Wildlife Management Zones 60 to 62 and 69 from:
 - (i) October 2 to October 21 and October 30 to November 18 in 1995;
 - (ii) October 7 to October 26 and November 4 to November 23 in 1996;
 - (iii) October 6 to October 25 and November 3 to November 22 in 1997;

- (iv) October 5 to October 24 and November 2 to November 21 in 1998;
- (b) Wildlife Management Zones 70 to 73, including Lac La Ronge Provincial Park and that portion of Clearwater River Provincial Park lying south of 57° latitude, from:
 - (i) September 4 to September 16 and October 2 to November 25 in 1995;
 - (ii) September 9 to September 21 and October 7 to November 30 in 1996;
 - (iii) September 8 to September 20 and October 6 to November 29 in 1997;
 - (iv) September 7 to September 19 and October 5 to November 28 in 1998;
- (c) Wildlife Management Zones 74 to 76 and that portion of Clearwater River Provincial Park lying north of 57° latitude from:
 - (i) August 21 to October 7 in 1995;
 - (ii) August 26 to October 12 in 1996;
 - (iii) August 25 to October 11 in 1997;
 - (iv) August 24 to October 10 in 1998.

Barren-ground caribou

9 Notwithstanding section 4, a holder of a First Saskatchewan Resident Barren-ground Caribou Licence or a Second Saskatchewan Resident Barren-ground Caribou Licence who resides in Wildlife Management Zone 76 may hunt barren-ground caribou of either sex in Wildlife Management Zone 76 from October 15 in each year to April 15 in the following year.

Bear

10 A holder of a Saskatchewan Resident Bear Licence may hunt black bear of either sex in:

- (a) Wildlife Management Zones 30, 35, 36, 38 to 40, 44 to 46, 60, 61, 70 to 72 and 74 to 76 from:
 - (i) August 21 to October 7 in 1995;
 - (ii) August 26 to October 12 in 1996;
 - (iii) August 25 to October 11 in 1997;
 - (iv) August 24 to October 10 in 1998;
- (b) Wildlife Management Zones 37, 42, 43, 47 to 59, 62 to 69 and 73, including Wildcat Hill Provincial Park and that portion of Clarence-Steepbank Lakes Provincial Park lying outside the Candle Lake Game Preserve, from:
 - (i) August 21 to September 9 in 1995;
 - (ii) August 26 to September 14 in 1996;
 - (iii) August 25 to September 13 in 1997;

- (iv) August 24 to September 12 in 1998;
- (c) Clearwater River, Duck Mountain, Meadow Lake and Narrow Hills Provincial Parks from:
 - (i) September 6 to September 16 in 1995;
 - (ii) September 11 to September 21 in 1996;
 - (iii) September 10 to September 20 in 1997;
 - (iv) September 9 to September 19 in 1998;
- (d) Lac La Ronge Provincial Park from:
 - (i) September 4 to October 7 in 1995;
 - (ii) September 9 to October 12 in 1996;
 - (iii) September 8 to October 11 in 1997;
 - (iv) September 7 to October 10 in 1998;
- (e) Fort-a-la-Corne Wildlife Management Unit from:
 - (i) September 18 to September 30 in 1995;
 - (ii) September 23 to October 5 in 1996;
 - (iii) September 22 to October 4 in 1997;
 - (iv) September 21 to October 3 in 1998.

SASKATCHEWAN RESIDENT SPECIAL BIG GAME OPEN SEASONS

Antelope

11(1) Subject to subsection (2), a holder of a Saskatchewan Resident Special Antelope Licence may hunt antelope of either sex in:

- (a) Wildlife Management Zones 1, 2, 4 to 15, 18, 19, 25 and 26, including Saskatchewan Landing Provincial Park, from:
 - (i) October 26 to December 2 in 1995;
 - (ii) October 28 to December 7 in 1996;
 - (iii) October 27 to December 6 in 1997;
 - (iv) October 26 to December 5 in 1998;
 - (b) Wildlife Management Zone 3 from:
 - (i) October 28 to December 2 in 1995;
 - (ii) October 28 to December 7 in 1996;
 - (iii) October 28 to December 6 in 1997;
 - (iv) October 28 to December 5 in 1998.
- (2) No person shall hunt any antelope in Saskatchewan Landing Provincial Park during any open season established by this section, except by means of a muzzle-loading firearm or a bow and arrow.

Special elk

12(1) A holder of a Saskatchewan Resident Special Elk Licence may hunt elk of either sex in:

(a) Wildlife Management Zone 6 and that portion of Wildlife Management Zone 7 lying east of Provincial Highway No. 271 and Grid Road No. 615 from:

(i) October 30 to November 11 and November 27 to December 2 in 1995;

(ii) November 4 to November 16 and December 2 to December 7 in 1996;

(iii) November 3 to November 15 and December 1 to December 6 in 1997;

(iv) November 2 to November 14 and November 30 to December 5 in 1998;

(b) that portion of Wildlife Management Zone 7 lying west of Provincial Highway No. 271 and Grid Road No. 615, including Cypress Hills Provincial Park (West Block), from:

(i) October 23 to November 4 and November 27 to December 9 in 1995;

(ii) October 28 to November 9 and December 2 to December 14 in 1996;

(iii) October 27 to November 8 and December 1 to December 13 in 1997;

(iv) October 26 to November 7 and November 30 to December 12 in 1998;

(c) Wildlife Management Zones 33, 37, 40, 42 and 43, including Duck Mountain and Moose Mountain Provincial Parks, from:

(i) October 23 to October 28 in 1995;

(ii) October 28 to November 2 in 1996;

(iii) October 27 to November 1 in 1997;

(iv) October 26 to October 31 in 1998;

(d) Wildlife Management Zone 52, that portion of Wildlife Management Zone 54 lying east of Provincial Highway No. 40 and Fort-a-la-Corne Wildlife Management Unit from:

(i) August 28 to September 16 in 1995;

(ii) September 3 to September 20 in 1996;

(iii) September 2 to September 19 in 1997;

(iv) September 1 to September 18 in 1998;

(e) Greenwater Lake Provincial Park from:

(i) September 6 to September 23 in 1995;

(ii) September 11 to September 28 in 1996;

(iii) September 10 to September 27 in 1997;

(iv) September 9 to September 26 in 1998.

(2) A holder of a Saskatchewan Resident Special Elk Licence may hunt non-trophy elk in Wildlife Management Zones 48, 49 and 56 to 59, including Greenwater Lake Provincial Park, from:

(a) October 23 to October 28 in 1995;

(b) October 28 to November 2 in 1996;

(c) October 27 to November 1 in 1997;

(d) October 26 to October 31 in 1998.

(3) A holder of a Saskatchewan Resident Special Elk Licence who also holds a Saskatchewan Resident Big Game Depredation Licence issued pursuant to section 38.1 of *The Wildlife Regulations, 1981* may hunt non-trophy elk during the times and in the places specified on the Saskatchewan Resident Big Game Depredation Licence.

Special moose

13 A holder of a Saskatchewan Resident Special Moose Licence may hunt moose of either sex in:

(a) Wildlife Management Zones 48, 49, 53 and 56 to 67, including Greenwater Lake, Narrow Hills and Wildcat Hill Provincial Parks and that portion of Clarence-Steepbank Lakes Provincial Park lying outside the Candle Lake Game Preserve, from:

(i) September 18 to September 23 and October 30 to November 11 in 1995;

(ii) September 23 to September 28 and November 4 to November 16 in 1996;

(iii) September 22 to September 27 and November 3 to November 15 in 1997;

(iv) September 21 to September 26 and November 2 to November 14 in 1998;

(b) Wildlife Management Zones 37, 68 North and 68 South and that portion of Wildlife Management Zone 47 lying north of Provincial Highway No. 3 and west of Provincial Highway No. 26, including Duck Mountain Provincial Park, from:

(i) October 30 to November 11 in 1995;

(ii) November 4 to November 16 in 1996;

(iii) November 3 to November 15 in 1997;

(iv) November 2 to November 14 in 1998;

(c) Fort-a-la-Corne Wildlife Management Unit from:

- (i) September 18 to September 30 and October 30 to November 11 in 1995;
 - (ii) September 23 to October 5 and November 4 to November 16 in 1996;
 - (iii) September 22 to October 4 and November 3 to November 15 in 1997;
 - (iv) September 21 to October 3 and November 2 to November 14 in 1998;
- (d) Wildlife Management Zone 6 and that portion of Wildlife Management Zone 7 lying east of Provincial Highway No. 271 and Grid Road No. 615 from:
- (i) October 30 to November 4 in 1995;
 - (ii) November 4 to November 9 in 1996;
 - (iii) November 3 to November 8 in 1997;
 - (iv) November 2 to November 7 in 1998;
- (e) Wildlife Management Zone 54 from:
- (i) November 6 to November 11 in 1995;
 - (ii) November 11 to November 16 in 1996;
 - (iii) November 10 to November 15 in 1997;
 - (iv) November 9 to November 14 in 1998.

Special mule deer

14(1) Subject to subsection (2):

- (a) a holder of a Saskatchewan Resident Special Mule Deer Licence may hunt mule deer of either sex in:
- (i) Wildlife Management Zones 1 to 19, 21 to 31, 33, 36, 40, 41, 44, 45, 47, 54 and 55 and Regina-Moose Jaw and Saskatoon Wildlife Management Zones, including Brokenshell No. 1, Brokenshell No. 2, Elbow and Great Bend Wildlife Management Units, Cypress Hills (West Block) and Saskatchewan Landing Provincial Parks and that portion of Douglas Provincial Park lying west of Lake Diefenbaker (Gordon Mackenzie Arm), from:
 - (A) October 30 to November 11 in 1995;
 - (B) November 4 to November 16 in 1996;
 - (C) November 3 to November 15 in 1997;
 - (D) November 2 to November 14 in 1998;
 - (ii) Wildlife Management Zone 46 from:
 - (A) November 6 to November 11 in 1995;
 - (B) November 11 to November 16 in 1996;

- (C) November 10 to November 15 in 1997;
 - (D) November 9 to November 14 in 1998;
 - (b) a holder of a Saskatchewan Resident Special Non-trophy Mule Deer Licence may hunt non-trophy mule deer in:
 - (i) Wildlife Management Zones 1 to 14, 19 and 23 to 27 and Regina-Moose Jaw and Saskatoon Wildlife Management Zones, including Elbow Wildlife Management Unit, Cypress Hills (West Block) and Saskatchewan Landing Provincial Parks and that portion of Douglas Provincial Park lying west of Lake Diefenbaker (Gordon Mackenzie Arm), from:
 - (A) November 6 to November 11 in 1995;
 - (B) November 11 to November 16 in 1996;
 - (C) November 10 to November 15 in 1997;
 - (D) November 9 to November 14 in 1998;
 - (ii) Wildlife Management Zone 46 from:
 - (A) November 13 to November 18 in 1995;
 - (B) November 18 to November 23 in 1996;
 - (C) November 17 to November 22 in 1997;
 - (D) November 16 to November 21 in 1998;
 - (c) a holder of a Saskatchewan Resident Special Non-trophy Mule Deer Licence who also holds a Saskatchewan Resident Special Mule Deer Licence may hunt non-trophy mule deer in the wildlife management zone specified on the Saskatchewan Resident Non-trophy Mule Deer Licence from:
 - (i) October 30 to November 4 in 1995;
 - (ii) November 4 to November 9 in 1996;
 - (iii) November 3 to November 8 in 1997;
 - (iv) November 2 to November 7 in 1998;
 - (d) a holder of a Saskatchewan Resident Special Non-trophy Mule Deer Licence who also holds a Saskatchewan Resident Special Antelope Licence may hunt non-trophy mule deer in the wildlife management zone specified on the Saskatchewan Resident Non-trophy Mule Deer Licence from:
 - (i) October 26 to December 2 in 1995;
 - (ii) October 28 to December 7 in 1996;
 - (iii) October 27 to December 6 in 1997;
 - (iv) October 26 to December 5 in 1998.
- (2) No person shall hunt any mule deer in Saskatchewan Landing Provincial Park or Great Bend Wildlife Management Unit during any open season established by this section, except by means of a muzzle-loading firearm or a bow and arrow.

CANADIAN RESIDENT BIG GAME OPEN SEASONS

Canadian resident white-tailed deer

15(1) Subject to subsection (2):

(a) a holder of a First Canadian Resident White-tailed Deer Licence may hunt white-tailed deer of either sex in:

(i) Wildlife Management Zones 1 to 14, 24 to 27 and 46, including Cypress Hills (West Block) and Saskatchewan Landing Provincial Parks, from:

(A) November 27 to December 2 in 1995;

(B) December 2 to December 7 in 1996;

(C) December 1 to December 6 in 1997;

(D) November 30 to December 5 in 1998;

(ii) Wildlife Management Zones 15, 18, 19, 21 to 23, 28 to 30, 36, 40, 41, 44 and 45 and Regina-Moose Jaw and Saskatoon Wildlife Management Zones, including Brokenshell No. 1, Brokenshell No. 2, Elbow, Estevan-Cambria and Lomond Wildlife Management Units and that portion of Douglas Provincial Park lying west of Lake Diefenbaker (Gordon Mackenzie Arm), from:

(A) November 20 to December 2 in 1995;

(B) November 25 to December 7 in 1996;

(C) November 24 to December 6 in 1997;

(D) November 23 to December 5 in 1998;

(iii) Wildlife Management Zones 42, 43 and 47 to 55 and Prince Albert Wildlife Management Zone, including Fort-a-la-Corne, Great Bend and Horsehide Lake Wildlife Management Units, from:

(A) November 13 to December 2 in 1995;

(B) November 18 to December 7 in 1996;

(C) November 17 to December 6 in 1997;

(D) November 16 to December 5 in 1998;

(iv) Wildlife Management Zones 56 to 66 and 69, including Greenwater Lake, Meadow Lake, Narrow Hills and Wildcat Hill Provincial Parks and that portion of Clarence-Steepbank Lakes Provincial Park lying outside the Candle Lake Game Preserve, from:

(A) September 25 to October 7 in 1995;

(B) September 30 to October 12 in 1996;

(C) September 29 to October 11 in 1997;

(D) September 28 to October 10 in 1998;

(v) Wildlife Management Zones 56 to 69, including Greenwater Lake, Meadow Lake, Narrow Hills and Wildcat Hill Provincial Parks and that portion of Clarence-Steepbank Lakes Provincial Park lying outside the Candle Lake Game Preserve, from:

- (A) October 30 to December 2 in 1995;
- (B) November 4 to December 7 in 1996;
- (C) November 3 to December 6 in 1997;
- (D) November 2 to December 5 in 1998;

(vi) Wildlife Management Zones 70 to 76, including Clearwater River and Lac La Ronge Provincial Parks, from:

- (A) August 21 to December 2 in 1995;
- (B) August 26 to December 7 in 1996;
- (C) August 25 to December 6 in 1997;
- (D) August 24 to December 5 in 1998;

(b) a holder of a Second Canadian Resident White-tailed Deer Licence may hunt white-tailed deer of either sex in:

(i) Wildlife Management Zones 56 to 66 and 69, including Greenwater Lake, Meadow Lake, Narrow Hills and Wildcat Hill Provincial Parks and that portion of Clarence-Steepbank Lakes Provincial Park lying outside the Candle Lake Game Preserve, from:

- (A) September 25 to October 7 in 1995;
- (B) September 30 to October 12 in 1996;
- (C) September 29 to October 11 in 1997;
- (D) September 28 to October 10 in 1998;

(ii) Wildlife Management Zones 56 to 69, including Greenwater Lake, Meadow Lake, Narrow Hills and Wildcat Hill Provincial Parks and that portion of Clarence-Steepbank Lakes Provincial Park lying outside the Candle Lake Game Preserve, from:

- (A) October 30 to December 2 in 1995;
- (B) November 4 to December 7 in 1996;
- (C) November 3 to December 6 in 1997;
- (D) November 2 to December 5 in 1998;

(c) a Canadian resident who holds a First Saskatchewan Non-trophy White-tailed Deer Licence may hunt non-trophy white-tailed deer in:

(i) Wildlife Management Zones 1 to 5 and 7 to 14, including Cypress Hills (West Block) and Saskatchewan Landing Provincial Parks, from:

- (A) November 27 to December 2 in 1995;
- (B) December 2 to December 7 in 1996;

- (C) December 1 to December 6 in 1997;
 - (D) November 30 to December 5 in 1998;
 - (ii) Wildlife Management Zones 15, 18, 19, 21, 36 and 49 and Regina-Moose Jaw Wildlife Management Zone, including Brokenshell No. 1, Brokenshell No. 2, Estevan-Cambria and Lomond Wildlife Management Units, from:
 - (A) November 20 to December 2 in 1995;
 - (B) November 25 to December 7 in 1996;
 - (C) November 24 to December 6 in 1997;
 - (D) November 23 to December 5 in 1998;
 - (d) a holder of a Guided Moose Licence who also holds a First Canadian Resident White-tailed Deer Licence or a Second Canadian Resident White-tailed Deer Licence may hunt white-tailed deer of either sex in Wildlife Management Zones 60 to 62 and 69 from:
 - (i) October 9 to October 21 in 1995;
 - (ii) October 14 to October 26 in 1996;
 - (iii) October 13 to October 25 in 1997;
 - (iv) October 12 to October 24 in 1998.
- (2) No person who hunts white-tailed deer during any open season established by subsection (1) shall hunt any white-tailed deer:
- (a) in Prince Albert Wildlife Management Zone, except by means of a bow and arrow; or
 - (b) in Great Bend Wildlife Management Unit and Saskatchewan Landing Provincial Park, except by means of a muzzle-loading firearm or a bow and arrow.

Canadian resident guided moose

16 A holder of a Canadian Resident Guided Moose Licence may hunt bull moose or calf moose in the places and during the times specified in subsection 8(2).

Canadian resident bear

17 A holder of a Canadian Resident Bear Licence may hunt black bear of either sex in the places and during the times specified in section 10.

NON-RESIDENT BIG GAME OPEN SEASONS

Non-resident white-tailed deer

18 A holder of a:

- (a) First Non-resident White-tailed Deer Licence may hunt white-tailed deer of either sex in:

(i) Wildlife Management Zones 56 to 66 and 69, including Greenwater Lake, Meadow Lake, Narrow Hills and Wildcat Hill Provincial Parks and that portion of Clarence-Steepbank Lakes Provincial Park lying outside the Candle Lake Game Preserve, from:

- (A) September 25 to October 7 in 1995;
- (B) September 30 to October 12 in 1996;
- (C) September 29 to October 11 in 1997;
- (D) September 28 to October 10 in 1998;

(ii) Wildlife Management Zones 56 to 69, including Greenwater Lake, Meadow Lake, Narrow Hills and Wildcat Hill Provincial Parks and that portion of Clarence-Steepbank Lakes Provincial Park lying outside the Candle Lake Game Preserve, from:

- (A) October 30 to December 2 in 1995;
- (B) November 4 to December 7 in 1996;
- (C) November 3 to December 6 in 1997;
- (D) November 2 to December 5 in 1998;

(iii) Wildlife Management Zones 70 to 76, including Clearwater River and Lac La Ronge Provincial Parks, from:

- (A) August 21 to December 2 in 1995;
- (B) August 26 to December 7 in 1996;
- (C) August 25 to December 6 in 1997;
- (D) August 24 to December 5 in 1998;

(iv) those portions of Wildlife Management Zones 48 to 50, 53 and 55 that comprise the assigned operating area of the outfitter with which the licence holder is hunting from:

- (A) November 13 to December 2 in 1995;
- (B) November 18 to December 7 in 1996;
- (C) November 17 to December 6 in 1997;
- (D) November 16 to December 5 in 1998;

(b) Second Non-resident White-tailed Deer Licence may hunt white-tailed deer of either sex in:

(i) Wildlife Management Zones 56 to 66 and 69, including Greenwater Lake, Meadow Lake, Narrow Hills and Wildcat Hill Provincial Parks and that portion of Clarence-Steepbank Lakes Provincial Park lying outside the Candle Lake Game Preserve, from:

- (A) September 25 to October 7 in 1995;
- (B) September 30 to October 12 in 1996;

- (C) September 29 to October 11 in 1997;
- (D) September 28 to October 10 in 1998;
- (ii) Wildlife Management Zones 56 to 69, including Greenwater Lake, Meadow Lake, Narrow Hills and Wildcat Hill Provincial Parks and that portion of Clarence-Steepbank Lakes Provincial Park lying outside the Candle Lake Game Preserve, from:
 - (A) October 30 to December 2 in 1995;
 - (B) November 4 to December 7 in 1996;
 - (C) November 3 to December 6 in 1997;
 - (D) November 2 to December 5 in 1998;
- (c) Guided Moose Licence who also holds a First Non-resident White-tailed Deer Licence or a Second Non-resident White-tailed Deer Licence may hunt white-tailed deer of either sex in Wildlife Management Zones 60 to 62 and 69 from:
 - (i) October 9 to October 21 in 1995;
 - (ii) October 14 to October 26 in 1996;
 - (iii) October 13 to October 25 in 1997;
 - (iv) October 12 to October 24 in 1998;
- (d) Non-resident Big Game Licence for elk who also holds a First Non-resident White-tailed Deer Licence or a Second Non-resident White-tailed Deer Licence may hunt white-tailed deer of either sex in Wildlife Management Zones 56 to 64, 66 and 69, including Meadow Lake Provincial Park, from:
 - (i) September 11 to September 23 in 1995;
 - (ii) September 16 to September 28 in 1996;
 - (iii) September 15 to September 27 in 1997;
 - (iv) September 14 to September 26 in 1998.

Non-resident elk

19 A holder of a Non-resident Big Game Licence for elk may hunt antlered elk in the places and during the times specified in clause 7(1)(a).

Non-resident guided moose

20 A holder of a Non-resident Guided Moose Licence may hunt one bull moose or one calf moose in the places and during the times specified in subsection 8(2).

Non-resident bear

21 A holder of a Non-resident Bear Licence may hunt black bear of either sex in the places and during the times specified in section 10.

Non-resident big game hunting on Indian reserves

22 Where the Indian Band responsible for the administration of an Indian reserve has passed and filed with the director a Band Council Resolution authorizing the hunting of big game on the Indian reserve, a holder of a non-resident big game licence that is valid on that reserve may hunt the species of big game listed on the licence on the reserve from September 1 to December 31 in each year.

PROTECTED AREAS AND RECREATION SITES

Protected areas and recreation sites

23(1) Subject to subsections (2) and (3), where a wildlife management zone is opened for hunting a species of big game, the following protected areas and recreation sites lying within that wildlife management zone are deemed to be open for hunting that species during the open season that is established by these regulations for that species in that wildlife management zone:

- (a) Anderson Island Protected Area;
- (b) Waskwei River Protected Area;
- (c) Bronson Forest Recreation Site;
- (d) Round Lake Recreation Site.

(2) The Bronson Forest Recreation Site is deemed to be open for the hunting of bear during the period commencing two days after Labour Day and ending 10 days later.

(3) The Round Lake Recreation Site is closed to bear hunting.

REPEAL AND COMING INTO FORCE

R.R.S. c.W-13.1 Reg 59 repealed

24 *The Big Game Open Seasons Regulations, 1994* are repealed.

Coming into force

25 These regulations come into force on the day on which they are filed with the Registrar of Regulations.

SASKATCHEWAN REGULATIONS 64/95

The Northern Municipalities Act

Section 286

Order in Council 718/95, dated September 12, 1995

(Filed September 13, 1995)

Title

1 These regulations may be cited as *The Northern Revenue Sharing Grants Amendment Regulations, 1995*.

R.R.S. c.N-5.1 Reg 5 amended

2 *The Northern Revenue Sharing Grants Regulations* are amended in the manner set forth in these regulations.

Section 2 amended

3 Subclause 2(e)(i) is amended in the portion preceding paragraph (A) by adding "or the Northern New Facilities Grant Program" after "Grant Program".

Section 3 amended

4 Clause 3(2)(b) is repealed.

New section 3.1

5 The following heading and section are added after section 3:

“NORTHERN NEW FACILITIES GRANT PROGRAM

Program established

“**3.1(1)** The Northern New Facilities Grant Program is established for the purpose of providing financial and technical assistance to northern municipalities for the construction of new sewer and water systems.

(2) The program does not apply to:

- (a) the expansion or upgrading of existing water and sewage systems; or
- (b) a northern municipality that is eligible for assistance under a provincial land assembly program for the proposed capital work.

(3) The maximum amount of the grant that is payable to a northern municipality pursuant to this section is an amount equal to 100% of the northern municipality’s cost”.

Section 5 amended

6 Subsection 5(3) is repealed.

Section 8 amended

7 Subsections 8(2) and 8(3) are repealed and the following substituted:

“(2) Subject to subsection (3), in the case of a capital work that is being constructed, altered or added to, a northern municipality is entitled, at any stage of completion, to payment of a portion of the total grant payable with respect to the capital work that is sufficient to make the percentage of the total grant that has been paid equal to the percentage of the total construction, alteration or addition that has been completed.

“(3) Before making a payment pursuant to subsection (2), the minister may require any information that the minister considers appropriate to show the percentage of total construction, alteration or addition that has been completed, and the northern municipality shall supply that information.

“(3.1) The minister may inspect a capital work that is being constructed, altered or added to at any state of completion”.

Coming into force

8 These regulations come into force on the day on which they are filed with the Registrar of Regulations.

SASKATCHEWAN REGULATIONS 65/95

The Municipal Revenue Sharing Act

Section 13

Order in Council 719/95, dated September 12, 1995

(Filed September 13, 1995)

Title

1 These regulations may be cited as *The Rural Municipalities Revenue Sharing Amendment Regulations, 1995 (No. 2)*.

R.R.S. c.M-32.1 Reg 10, new section 19.1

2 The following section is added after section 19 of *The Rural Municipalities Revenue Sharing Regulations, 1993*:

Grants for treaty land entitlement transfers

“19.1 A rural municipality is entitled to receive a grant calculated in accordance with the basic road percentage rate with respect to the costs incurred by it for legal surveys relating to, and the purchase and registration of, previously unregistered roadways that are on lands:

- (a) to be transferred to Indian reserve status pursuant to the terms of a Framework Agreement within the meaning of *The Treaty Land Entitlement Implementation Act*; or
- (b) to be purchased or otherwise acquired by an Indian Band pursuant to the settlement of an outstanding land claim”.

Coming into force

3 These regulations come into force on the day on which they are filed with the Registrar of Regulations.

SASKATCHEWAN REGULATIONS 66/95

The Health Districts Act

Section 40

Order in Council 720/95, dated September 12, 1995

(Filed September 13, 1995)

Title

1 These regulations may be cited as *The Health Districts Amalgamation Amendment Regulations, 1995*.

R.R.S. c.H-0.01 Reg 1, Appendix amended

2 Part I of the Appendix to *The Health Districts Amalgamation Regulations* is amended by adding the following list after List F:

“LIST G

Palliser Alcohol & Drug Abuse Council Inc.”.

Coming into force

3 These regulations come into force on the day on which they are filed with the Registrar of Regulations.

SASKATCHEWAN REGULATIONS 67/95

The Horned Cattle Purchases Act

Section 12

Order in Council 721/95, dated September 12, 1995

(Filed September 13, 1995)

Title

1 These regulations may be cited as *The Horned Cattle Purchases Amendment Regulations, 1995 (No. 2)*.

R.R.S. c.H-6 Reg 1, section 5 amended

2 Section 5 of *The Horned Cattle Purchases Regulations, 1983* is amended:

- (a) by renumbering it as subsection 5(1); and

(b) by adding the following subsection after subsection (1):

“(2) Every operator of an auction market in Alberta that is prescribed as an approved inspection point in Alberta pursuant to subsection 6(2) is entitled to receive a commission of 10¢ per each head of cattle with horns with respect to which the operator deducts or collects the amount to be deducted pursuant to section 3 or subsection 5(2) of the Act”.

Coming into force

3 These regulations come into force on the day on which they are filed with the Registrar of Regulations.

REGINA, SASKATCHEWAN
Printed by the authority of
THE QUEEN'S PRINTER
1995

