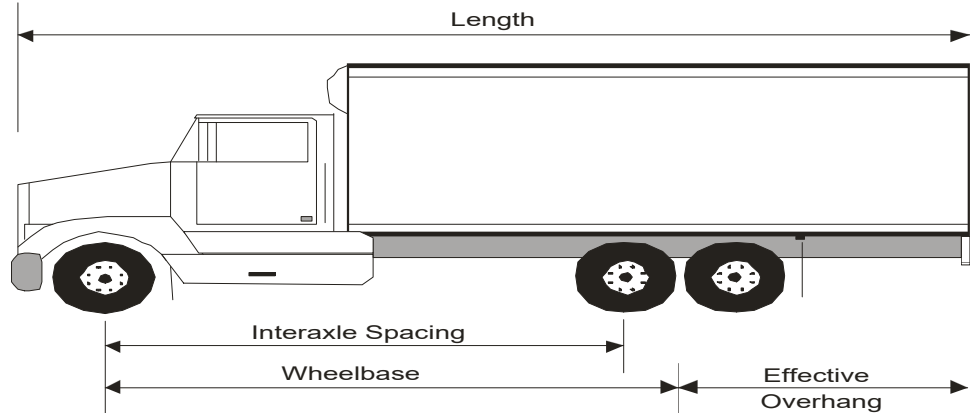


# Straight truck

## Configuration 1

(Applies to all 2 and 3 axle trucks.)

DIMENSION LIMITS (m)	
DIMENSION	LIMIT
Overall Length	Max 12.5
Width	Max 2.6
Height	Max 4.15
Wheelbase	Not Controlled
Tandem Axle Spread	Min 1.0 Max 1.85
Effective Overhang	Max 4.0
INTERAXEL SPACINGS	
Single Axle to Single Axle	Min 3.0
Single Axle to Tandem Axle	Min 3.0



MAXIMUM WEIGHT LIMITS (kg)				
	Primary		Secondary and Municipal	
		Winter Weight		Winter Weight
<b>Steering Axle</b>	7,300	7,300	5,500	5,500
<b>Drive Axle Group</b>				
Single Axle	9,100	10,000	8,200	10,000
Tan. Axle Group	17,000	18,000	14,500	18,000
<b>Gross Vehicle Weight</b>				
Two Axles	16,400	17,300	13,700	15,500
Three Axles	24,300	25,300	20,000	23,500

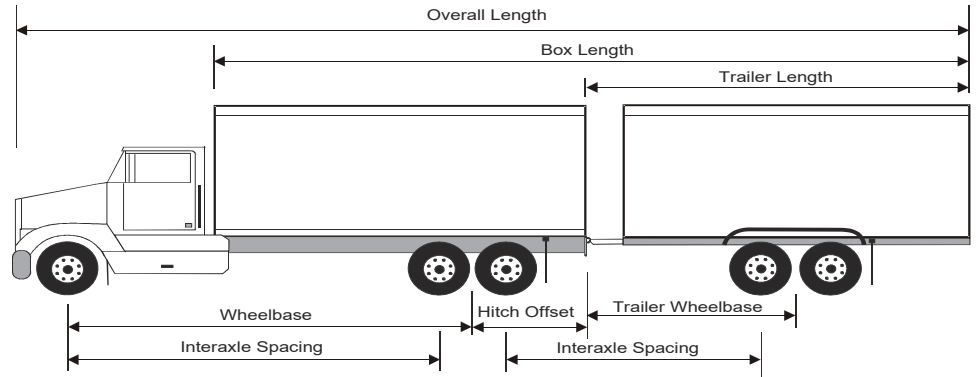
This guide is only a summary of The Vehicle Weight and Dimension Regulations Amendment 2010 and does not include all details. August, 2019

# Truck - Pony Trailer Combination

## Configuration 2

(Applies to all 2 and 3 axle trucks in combination with a pony trailer.)

DIMENSION LIMITS (m)	
DIMENSION	LIMIT
Overall Length	Max 23.0
Width	Max 2.6
Height	Max 4.15
Box Length	Max 20.0
TRUCK	
Length	Max 12.5
Wheelbase	Not Controlled
Tandem Axle Spread	Min 1.0 Max 1.85
Effective Overhang	Max 4.0
Hitch Offset	Max 1.8
PONY TRAILER	
Length	Max 12.5
Wheelbase	Min 6.25
Tandem Axle Group	Min 1.0
Spread	Max 1.85
Tridem Axle Group	Min 2.4
Spread	Max 2.5
Track Width	Min 2.5 Max 2.6
Effective Overhang	Max 4.0
INTERAXEL SPACINGS	
Single Axle to Single Axle	Min 3.0
Single Axle to Tandem Axle	Min 3.0
Single Axle to Tridem Axle	Min 5.0
Tandem to Tandem Axle	Min 5.0
Tandem to Tridem Axle	Min 5.5



	MAXIMUM WEIGHT LIMITS (kg)			
	Primary		Secondary and Municipal	
		Winter Weight		Winter Weight
<b>Steering Axle</b>	7,300	7,300	5,500	5,500
<b>Drive Axle Group</b>				
Single Axle	9,100	10,000	8,200	10,000
Tan. Axle Group	17,000	18,000	14,500	18,000
<b>Pony Trailer Axle Group</b>				
Single Axle	9,100	10,000	8,200	10,000
Tandem Axle	17,000	18,000	14,500	18,000
Tridem Axle	21,000	21,000	20,000	21,000
<b>Gross Vehicle Weight</b>				
2 Axle truck, Single axle trailer	25,500	27,300	21,900	25,500
2 axle truck, tandem axle trailer	33,400	35,300	28,200	33,500
2 axle truck, tridem axle trailer	37,400	38,300	33,700	36,500
3 axle truck, single axle trailer	33,400	35,300	28,200	33,500
3 axle truck, tandem axle trailer	41,300	43,300	34,500	41,500
3 axle truck, tridem axle trailer	45,300	46,300	40,000	44,500

Note1: Dimension limits do not apply to a pony trailer with a Gross Vehicle Weight Rating of less than 10 000 kg.

Note2: The maximum effective overhang of 4.0 m applies to a pony trailer manufactured after June 30, 1988. For a pony trailer manufactured before July 1, 1988, the load is restricted to an effective overhang of 4.0 m or the rear of the trailer, whichever is greater.

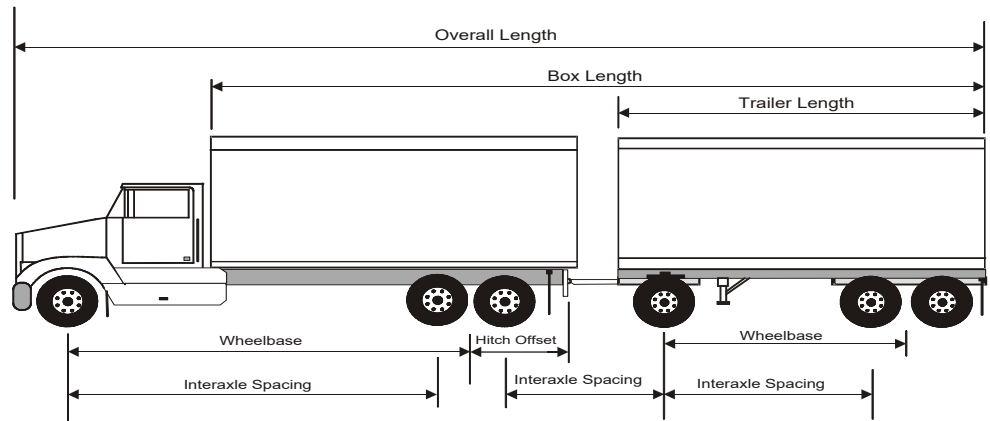
This guide is only a summary of The Vehicle Weight and Dimension Regulations Amendment 2010 and does not include all details. August, 2019

# Truck - Full Trailer Combination

## Configuration 3

(Applies to all 2 and 3 axle trucks in combination with a full trailer or semi-trailer and converter dolly.)

DIMENSION LIMITS (m)	
DIMENSION	LIMIT
Overall Length	Max 23.0
Width	Max 2.6
Height	Max 4.15
Box Length	Max 20.0
<b>TRUCK</b>	
Length	Max 12.5
Wheelbase	Not Controlled
Tandem Axle Spread	Min 1.0
Effective Overhang	Max 1.85
Hitch Offset	Max 1.8
<b>FULL TRAILER</b>	
Length	Max 12.5
Wheelbase	Min 6.25
Tandem Axle Group	Min 1.0
Spread	Max 1.85
Track Width	Min 2.5
	Max 2.6
<b>INTERAXEL SPACINGS</b>	
Single Axle to Tandem Axle	Min 3.0
Tandem to Tandem Axle	Min 5.0



MAXIMUM WEIGHT LIMITS (kg)				
	Primary		Secondary and Municipal	
		Winter Weight		Winter Weight
<b>Steering Axle</b>	7,300	7,300	5,500	5,500
<b>Drive Axle Group</b>				
Single Axle	9,100	10,000	8,200	10,000
Tan. Axle Group	17,000	18,000	14,500	18,000
<b>Full Trailer Axle Group</b>				
Single Axle	9,100	10,000	8,200	10,000
Tandem Axle	17,000	18,000	14,500	18,000
<b>Full Trailer GVW</b>				
2 axle truck with 2, 3, or 4 axle trailer	17,000	17,000	14,500	17,000
3 axle truck with a:				
2 axle trailer	17,000	17,000	16,400	17,000
3 axle trailer	24,000	24,000	22,700	24,000
4 axle trailer	31,000	31,000	29,000	31,000
<b>Gross Vehicle Weight</b>				
2 Axle truck, Single axle trailer	33,400	34,300	28,200	32,500
3 axle truck with a:				
2 axle trailer	41,300	42,300	36,400	40,500
3 axle trailer	48,300	49,300	42,700	47,500
4 axle trailer	55,300	56,300	49,000	54,500

Note 1: The maximum allowable weight of a full trailer is restricted

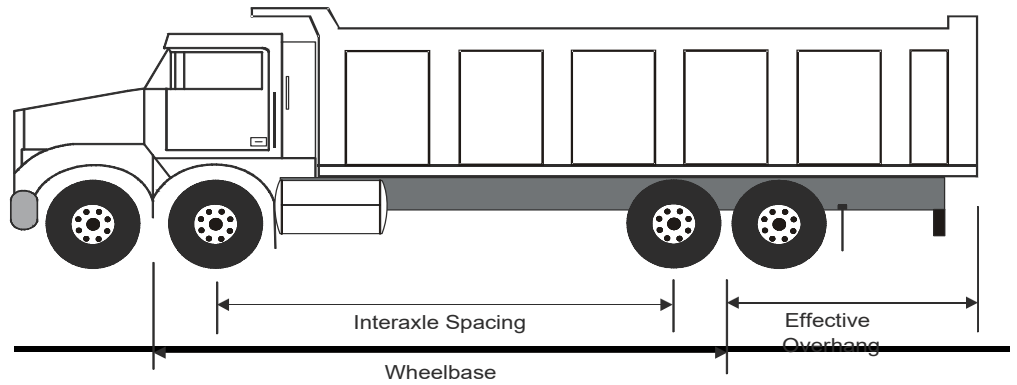
This guide is only a summary of The Vehicle Weight and Dimension Regulations Amendment 2010 and does not include all details. August, 2019

# Twin Steer Tandem Drive Truck

## Configuration 4



DIMENSION LIMITS (m)	
DIMENSION	LIMIT
Overall Length	Max 12.5
Width	Max 2.6
Height	Max 4.15
TRUCK	
Wheelbase	Not Controlled
Tandem Steer	Min 1.0
Spread	Max 1.85
Tandem Drive	Min 1.0
Spread	Max 1.85
Effective Overhang	Max 4.0
INTERAXEL SPACINGS	
Tandem to Tandem Axle	Min 5.0



MAXIMUM WEIGHT LIMITS (kg)				
	Primary		Secondary and Municipal	
		Winter Weight		Winter Weight
<b>Steering Axle</b>	13,600	13,600	11,000	11,000
<b>Drive Axle</b>	17,000	18,000	14,500	18,000
<b>Gross Vehicle Weight</b>	30,600	31,600	25,500	29,000

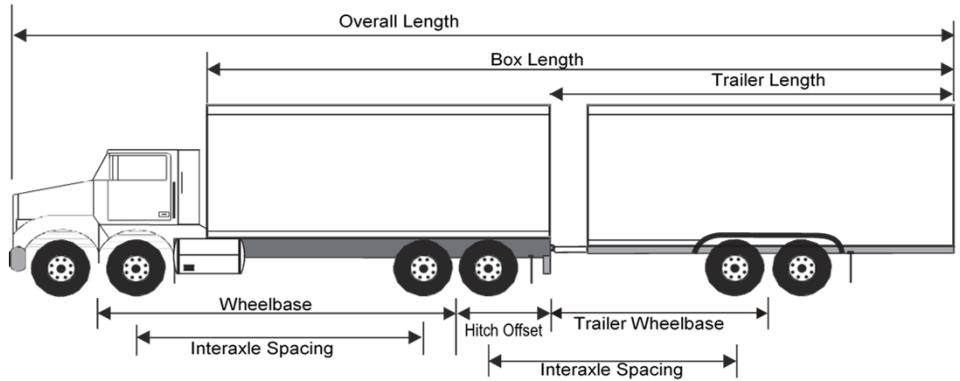
This guide is only a summary of The Vehicle Weight and Dimension Regulations Amendment 2010 and does not include all details. August, 2019

# Twin Steer Tandem Drive Truck

## Pony Trailer Combination Configuration 5



DIMENSION LIMITS (m)	
DIMENSION	LIMIT
Overall Length	Max 23.0
Width	Max 2.6
Height	Max 4.15
Box Length	Max 20.0
TRUCK	
Wheelbase	Not Controlled
Tandem Steer	Min 1.0
Spread	Max 1.85
Tandem Drive	Min 1.0
Spread	Max 1.85
Effective Overhang	Max 4.0
Hitch Offset	Max 1.8
PONY TRAILER	
Length	Max 12.5
Wheelbase	Min 6.25
Tandem Axle Group	Min 1.0
Spread	Max 1.85
Tridem Axle Group	Min 2.4
Spread	Max 2.5
Track Width	Min 2.5
	Max 2.6
Effective Overhang	Max 4.0
INTERAXEL SPACINGS	
Tandem Axle to	Min 3.0
Single Axle	
Tandem Axle to	Min 5.0
Tandem Axle	
Tandem Axle to	Min 5.5
Tridem Axle	



MAXIMUM WEIGHT LIMITS (kg)				
	Primary		Secondary and Municipal	
		Winter Weight		Winter Weight
<b>Steering Axle</b>	13,600	13,600	11,000	11,000
<b>Drive Axle</b>	17,000	18,000	14,500	18,000
<b>Pony Trailer Axle Group</b>				
Single Axle	9,100	10,000	8,200	10,000
Tandem Axle	17,000	18,000	14,500	18,000
Tridem Axle	21,000	21,000	20,000	21,000
<b>Gross Vehicle Weight</b>				
Truck, single axle trailer	39,700	41,600	33,700	39,000
Truck, tandem axle trailer	47,600	49,600	40,000	47,000
Truck, tridem axle trailer	51,600	52,600	45,500	50,000

Note1: Dimension limits do not apply to a pony trailer with a Gross Vehicle Weight Rating of less than 10 000 kg.

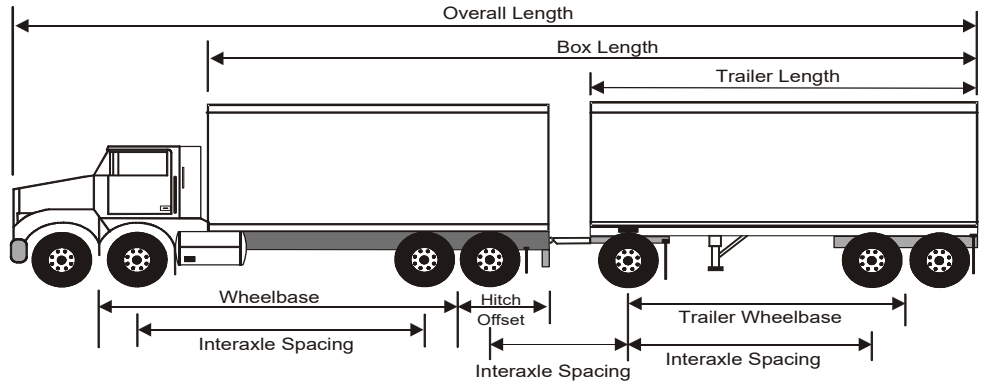
Note2: The maximum effective overhang of 4.0 m applies to a pony trailer manufactured after June 30, 1988. For a pony trailer manufactured before July 1, 1988, the load is restricted to an effective overhang of 4.0 m or the rear of the trailer, whichever is greater.

This guide is only a summary of The Vehicle Weight and Dimension Regulations Amendment 2010 and does not include all details.  
August, 2019

# Twin Steer Tandem Drive Truck - Pony Trailer Combination

## Configuration 6

DIMENSION LIMITS (m)	
DIMENSION	LIMIT
Overall Length	Max 23.0
Width	Max 2.6
Height	Max 4.15
Box Length	Max 20.0
<b>TRUCK</b>	
Length	Max 12.5
Wheelbase	Not Controlled
Tandem Axle Spread	Min 1.0 Max 1.85
Effective Overhang	Max 4.0
Hitch Offset	Max 1.8
<b>FULL TRAILER</b>	
Length	Max 12.5
Wheelbase	Min 6.25
Tandem Axle Group	Min 1.0
Spread	Max 1.85
Track Width	Min 2.5 Max 2.6
<b>INTERAXEL SPACINGS</b>	
Single Axle to Single Axle	Min 3.0
Single Axle to Tandem Axle	Min 3.0
Tandem to Tandem Axle	Min 5.0



MAXIMUM WEIGHT LIMITS (kg)				
	Primary		Secondary and Municipal	
		Winter Weight		Winter Weight
<b>Steering Axle</b>	13,600	13,600	11,000	11,000
<b>Drive Axle</b>	17,000	18,000	14,500	18,000
<b>Full Trailer Axle Group</b>				
Single Axle	9,100	10,000	8,200	10,000
Tandem Axle	17,000	18,000	14,500	18,000
<b>Full Trailer GVW</b>				
4 axle truck with a:				
2 axle trailer	17,000	17,000	16,400	17,000
3 axle trailer	24,000	24,000	22,700	24,000
4 axle trailer	31,000	31,000	29,000	31,000
<b>Gross Vehicle Weight</b>				
4 axle truck with a:				
2 axle trailer	47,600	48,600	41,900	46,000
3 axle trailer	54,600	55,600	48,200	53,000
4 axle trailer	61,600	62,500	54,500	54,500

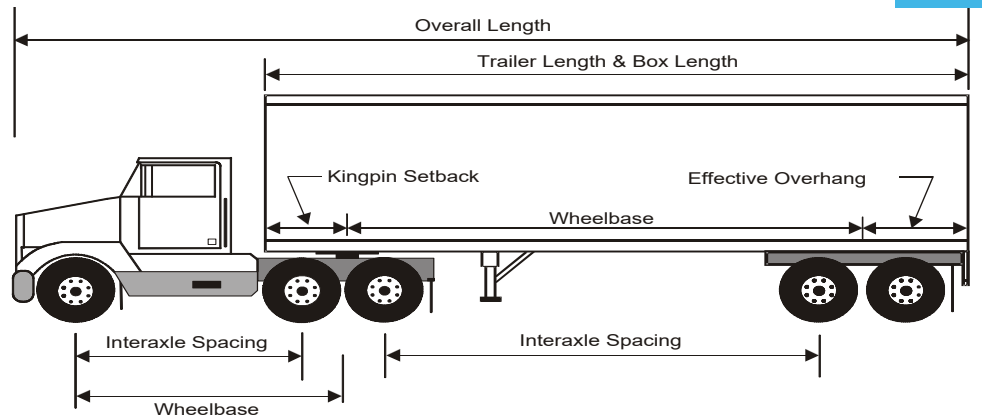
Note 1: The maximum allowable weight of a full trailer is restricted

This guide is only a summary of The Vehicle Weight and Dimension Regulations Amendment 2010 and does not include all details.  
August, 2019

# Truck Tractor Semi-trailer Combination

## Configuration 7

DIMENSION LIMITS (m)	
DIMENSION	LIMIT
Overall Length	Max 23.0
Width	Max 2.6
Height	Max 4.15
Box Length	Max 16.2
TRUCK TRACTOR	
Wheelbase <sup>1</sup>	Max 6.2
Tandem Axle Spread	Min 1.0
	Max 1.85
SEMI TRAILER	
Length	Max 16.5
Wheelbase	Min 6.25
	Max 12.5
Kingpin Setback	Max 2.0 m
	Radius
Effective Overhang	Max 35% of wheelbase
Tandem Axle Group Spread	Min 1.0
	Max 1.85
Tridem Axle Group Spread	Min 2.4
	Max 3.7
Track Width	Min 2.5
	Max 2.6
INTERAXEL SPACINGS	
Single Axle to Single, Tandem or Tridem Axle	Min 3.0
Tandem Axle to Tandem Axle	Min 5.0
Tandem to Tridem Axle	Min 5.5



MAXIMUM WEIGHT LIMITS (kg)				
	Primary		Secondary and Municipal	
		Winter Weight		Winter Weight
<b>Steering Axle</b>	6,000	6,000	6,000	6,000
<b>Drive Axle</b>				
Single Axle	9,100	10,000	8,200	10,000
Tandem Axle	17,000	18,000	14,500	18,000
<b>Semi Trailer Axle Group</b>				
Single Axle	9,100	10,000	8,200	10,000
Tandem Axle	17,000	18,000	14,500	18,000
<b>Tri. Axle Group:</b>				
Spread 2.4m-3.0m	21,000	21,000	20,000	21,000
Spread >3.0m-3.6m	23,000	23,000	20,000	23,000
Spread >3.0m-3.6m <sup>2</sup>	24,000	24,000		
Spread >3.6m-3.7m	24,000	24,000	20,000	24,000
<b>Gross Vehicle Weight</b>				
2axle truck, single axle trailer	24,200	26,000	22,400	26,000
2 axle truck, tan. axle trailer	32,100	34,000	28,700	34,000
3 axle truck, single axle trailer	32,100	34,000	28,700	34,000
3 axle truck, tan. Axle trailer	40,000	42,000	35,000	42,000
<b>Three axle truck, Tri. Axle trailer with Tri. Spread:</b>				
Spread 2.4m-3.0m	44,000	45,000	40,500	45,000
Spread >3.0m-3.6m	46,000	47,000	40,500	47,000
Spread >3.0m-3.6m <sup>2</sup>	47,000	48,000		
Spread >3.6m-3.7m	47,000	48,000	40,500	48,000

<sup>1</sup> Truck Tractor Wheelbase (m)	Max Semi-Trailer Wheelbase (m)
6.2 or less	12.50
> 6.2 to 6.3	12.47
> 6.3 to 6.4	12.40
> 6.4 to 6.5	12.33
> 6.5 to 6.6	12.27
> 6.6 to 6.7	12.20
> 6.7 to 6.8	12.13
> 6.8 to 6.9	12.07
> 6.9 to 7.0	12.00
> 7.0 to 7.1	11.93
> 7.1 to 7.2	11.87

<sup>1</sup> The wheelbase limit only applies to a truck tractor manufactured after June 30, 1988. The truck tractor wheelbase can be a maximum of 7.2m if the corresponding wheelbase of the semi-trailer is not greater than the limits in the table on the left.

<sup>2</sup> The max allowable weight on a tridem axle group on a semi-trailer with a spread greater than 3.0 m up to 3.6 m is 24,000 kg and the max allowable gvwt is 47,000 kg summer and 48,000 kg winter on provincial highways or portions of provincial highways listed in Appendix E of *The Vehicle Weight and Dimension Regulations, 2010*.

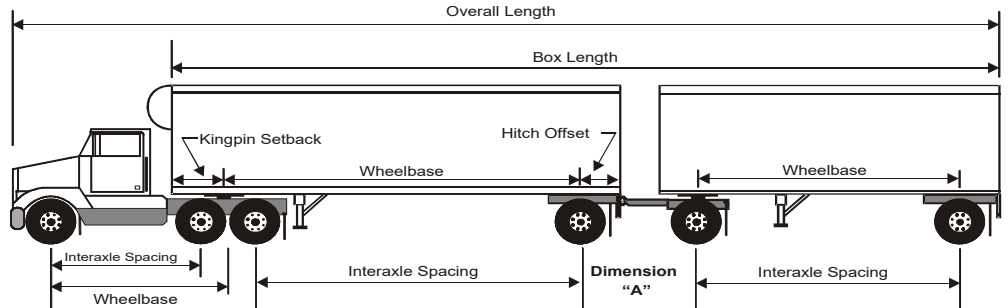
This guide is only a summary of *The Vehicle Weight and Dimension Regulations Amendment 2010* and does not include all details. August, 2019

# A-Train

## Configuration 8

(Applies to all truck tractors in combination with a semi-trailer towing either a full trailer or a semi-trailer with an A-Dolly)

DIMENSION LIMITS (m)	
DIMENSION	LIMIT
Overall Length	Max 26.0
Width	Max 2.6
Height	Max 4.15
Box Length	Max 20.0
TRUCK TRACTOR	
Wheelbase	Max 6.2
Tandem Axle Spread	Min 1.0 Max 1.85
SEMI TRAILER	
Wheelbase	Min 6.25
Kingpin Setback	Max 2.0 m radius
Tandem Axle Group Spread	Min 1.0 Max 1.85
Track Width	Min 2.5 Max 2.6
Hitch Offset	Max 1.8
INTERAXEL SPACINGS	
Single Axle to Single, Tandem or Tridem Axle	Min 3.0
Tandem Axle to Tandem Axle	Min 5.0
Dimension "A"	Not Controlled



MAXIMUM AXLE WEIGHT LIMITS (kg)				
	Primary		Secondary and Municipal	
		Winter Weight		Winter Weight
<b>Steering Axle</b>	6,000	6,000	6,000	6,000
<b>Drive Axle</b>				
Single Axle	9,100	10,000	8,200	10,000
Tandem Axle	17,000	18,000	14,500	18,000
<b>Semi Trailer Axle Group<sup>2</sup></b>				
Single Axle	9,100	10,000	8,200	10,000
Tandem Axle	17,000	18,000	14,500	18,000

<sup>1</sup> The maximum allowable weight on a full trailer is restricted.

<sup>2</sup> The weight of the second trailer must not exceed the weight of the tractor drive axle(s) plus the weight of the axle(s) on the first semi-trailer.

MAXIMUM GROSS VEHICLE WEIGHT LIMITS (kg)						
TRUCK	LEAD SEMI TRAILER	2nd SEMI TRAILER or Full trailer <sup>1,2</sup>	Primary		Secondary and Municipal	
				Winter Weight		Winter Weight
2 Axle Truck Tractor	Single Axle	2 single axles, 1 single axle and 1 tan. axle group, or 2 tan. axle groups	42,400	46,000	38,800	46,000
	Tandem Axle	2 single axles	50,300	53,500	45,100	53,500
	Tandem Axle	1 single axle and 1 tan. axle group, or 2 tan. axles groups	53,500	53,500	49,000	53,500
3 Axle Truck Tractor	Single Axle	2 single axles	50,300	53,000	45,100	53,000
	Single Axle	1 single axle and 1 tan. axle group, or 2 tan. axle groups	53,500	53,500	49,000	53,500
	Tandem Axle	2 single axles, 1 single axle and 1 tan. axle group, or 2 tan. axle groups	53,500	53,500	49,000	53,500

This guide is only a summary of The Vehicle Weight and Dimension Regulations Amendment 2010 and does not include all details.

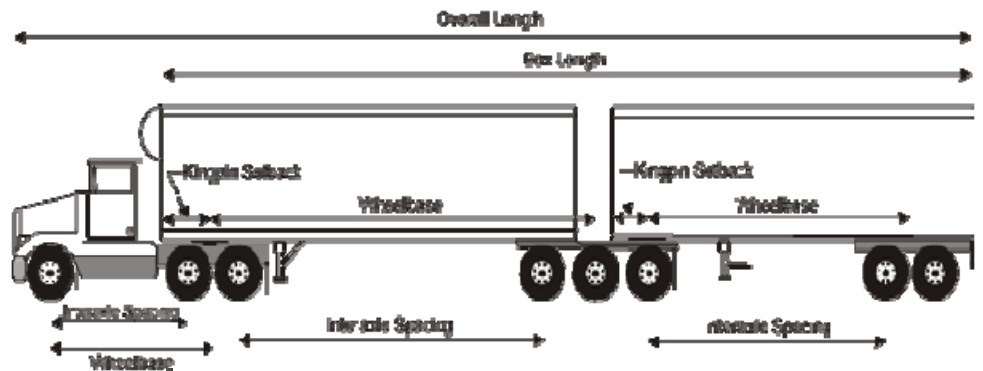
August, 2019

# B-Train

## Configuration 9

(Applies to all truck tractors in combinations with a semi-trailer towing another semi-trailer attached to a fifth wheel mounted on the rear of the first semi-trailer.)

DIMENSION LIMITS (m)	
<i>DIMENSION</i>	<i>LIMIT</i>
Overall Length <sup>1</sup>	Max 27.5
Width	Max 2.6
Height	Max 4.15
Box Length	Max 20.0
TRUCK TRACTOR	
Wheelbase	Max 6.2
Tandem Axle Group	Min 1.0
Spread	Max 1.85
LEAD SEMI TRAILER	
Wheelbase <sup>2</sup>	Min 6.25
Kingpin Setback	Max 2.0 m radius
Fifth Wheel Position	No more than 0.3 m behind rearmost axle
Tandem Axle Group	Min 1.0
Spread	Max 1.85
Tridem Axle Group	Min 2.4
Spread	Max 3.1
Track Width	Min 2.5
Sum of Semi-Trailer	Max 2.6
Wheelbases <sup>3</sup>	Max 2.6
SECOND SEMI TRAILER	
Wheelbase	Min 6.25
Kingpin Setback	Max 2.0 m radius
Tandem Axle Group	Min 1.0
Spread	Max 1.85
Tridem Axle Group	Min 2.4
Spread	Max 3.1
Track Width	Min 2.5
	Max 2.6
INTERAXEL SPACINGS	
Single Axle to Single, Tandem or Tridem Axle	Min 3.0
Tandem Axle to Tandem Axle	Min 5.0
Tandem Axle to Tridem Axle	Min 5.5
Tridem Axle to Tridem Axle	Min 6.0



MAXIMUM AXLE WEIGHT LIMITS (kg)				
	Primary		Secondary and Municipal	
		Winter Weight		Winter Weight
<b>Steering Axle</b>	6,000	6,000	6,000	6,000
<b>Drive Axle</b>				
Single Axle	9,100	10,000	8,200	10,000
Tandem Axle	17,000	18,000	14,500	18,000
<b>Semi Trailer Axle Group</b>				
Single Axle	9,100	10,000	8,200	10,000
Tandem Axle	17,000	18,000	14,500	18,000
Tridem Axle:				
Spread 2.4 - <3.0 m	21,000	21,000	20,000	21,000
Spread 3.0 - 3.1 m	23,000	23,000	20,000	23,000
Spread 3.0 - 3.1 m <sup>4</sup>	24,000	24,000		

<sup>1</sup> The overall length is inclusive of the heavy duty bumper or device designed to reduce the impact of wildlife collisions that is mounted on the front of the truck tractor.

<sup>2</sup> The truck tractor wheelbase can be a maximum of 6.8 m if the corresponding sum of the semi-trailer wheelbases is not greater than the limits in the following table:

Tractor Wheelbase (m)	Max sum of Semi-Trailer Wheelbase (m)
6.2 or less	17.00
> 6.2 to 6.3	16.53
> 6.3 to 6.4	16.44
> 6.4 to 6.5	16.36
> 6.5 to 6.6	16.27
> 6.6 to 6.7	16.19
> 6.7 to 6.8	16.10

<sup>3</sup> The sum of semi-trailer wheelbases limit only applies if both semi-trailers were manufactured after December 31, 1991.

<sup>4</sup> The maximum allowable weight on a tridem axle group on a B-train is 24,000 kg on provincial highways or portions of provincial highways listed in Appendix E of *The Vehicle Weight and Dimension Regulations, 2010*.

This guide is only a summary of The Vehicle Weight and Dimension Regulations Amendment 2010 and does not include all details. August, 2019

# B-Train

## Configuration 9

(Applies to all truck tractors in combinations with a semi-trailer towing another semi-trailer attached to a fifth wheel mounted on the rear of the first semi-trailer.)



MAXIMUM GROSS VEHICLE WEIGHT LIMITS (kg)						
Lead Semi Trailer	2 <sup>nd</sup> Semi Trailer	Primary Highways		Secondary/Municipal Highways		
		Winter		Secondary Winter	Municipal Winter	
<b>2 Axle Truck Tractor</b>						
Tandem Axle Group	Tandem Axle Group	49,100	52,000	43,200	52,000	52,000
Tandem Axle Group	Tandem Axle Group Spread 2.4 m - <3.0 m	53,100	55,000	48,700	55,000	54,500
Tandem Axle Group	Tandem Axle Group Spread 3.0 m - 3.1 m	55,100	57,000	48,700	57,000	54,500
Tridem Axle Group Spread 2.4 m - <3.0 m	Tandem Axle Group	53,100	55,000	48,700	55,000	54,500
Tridem Axle Group Spread 3.0 m - 3.1 m	Tandem Axle Group	55,100	57,000	48,700	57,000	54,500
Tridem Axle Group Spread 2.4 m - <3.0 m	Tridem Axle Group Spread 2.4 m - <3.0 m	62,500	58,000	54,500	58,000	54,500
Tridem Axle Group Spread 2.4 m - <3.0 m	Tridem Axle Group Spread 3.0 m - 3.1 m	62,500	60,000	54,500	60,000	54,500
Tridem Axle Group Spread 3.0 m - 3.1 m	Tridem Axle Group Spread 2.4 m - <3.0 m	62,500	60,000	54,500	60,000	54,500
Tridem Axle Group Spread 3.0 m - 3.1 m	Tridem Axle Group Spread 3.0 m - 3.1 m	62,500	62,500	54,500	62,500	54,500
Tridem Axle Group Spread 3.0 m - 3.1 m <sup>4</sup>	Tridem Axle Group Spread 3.0 m - 3.1 m <sup>4</sup>	63,500	63,500	54,500	63,500	54,500
<b>3 Axle Truck Tractor</b>						
Tandem Axle Group	Tandem Axle Group	57,000	60,000	49,500	60,000	54,500
Tandem Axle Group	Tandem Axle Group Spread 2.4 m - <3.0 m	61,000	62,500	54,500	62,500	54,500
Tandem Axle Group	Tandem Axle Group Spread 3.0 m - 3.1 m	62,500	62,500	54,500	62,500	54,500
Tridem Axle Group Spread 2.4 m - <3.0 m	Single Axle Group	53,100	55,000	48,700	55,000	54,500
Tridem Axle Group Spread 3.0 m - 3.1 m	Single Axle Group	55,100	57,000	48,700	57,000	54,500
Tridem Axle Group Spread 2.4 m - <3.0 m	Tandem Axle Group	61,000	62,500	54,500	62,500	54,500
Tridem Axle Group Spread 3.0 m - 3.1 m	Tandem Axle Group	62,500	62,500	54,500	62,500	54,500
Tridem Axle Group Spread 3.0 m - 3.1 m <sup>4</sup>	Tridem Axle Group Spread 3.0 m - 3.1 m <sup>4</sup>	63,500	62,500	54,500	62,500	54,500
Tridem Axle Group Spread 3.0 m - 3.1 m <sup>4</sup>	Tandem Axle Group	63,500	63,500	54,500	63,500	N/A

<sup>4</sup> Applies on provincial highways or portions of provincial highways listed in Appendix E of The Vehicle Weight and Dimension Regulations, 2010.

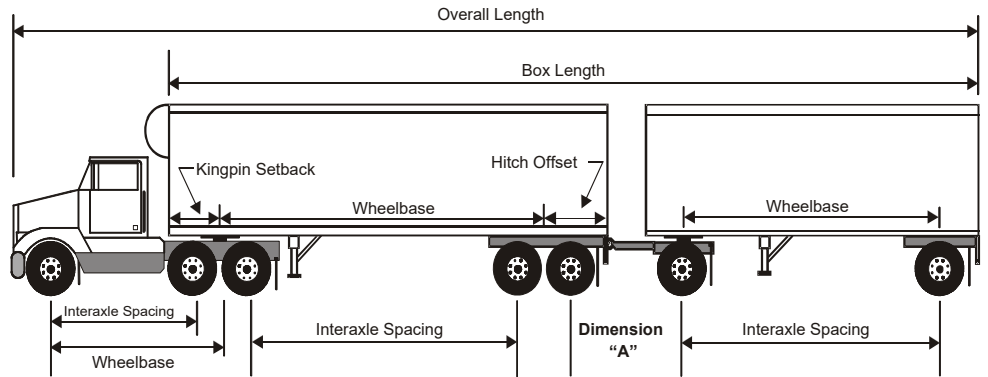
**This guide is only a summary of The Vehicle Weight and Dimension Regulations Amendment 2010 and does not include all details. August, 2019**

# C-Train

## Configuration 10

(Applies to all truck tractors in combinations with a semi-trailer towing another full trailer attached to the first semi-trailer by means of a C-Dolly.)

DIMENSION LIMITS (m)	
DIMENSION	LIMIT
Overall Length	Max 26.0
Width	Max 2.6
Height	Max 4.15
Box Length	Max 20.0
TRUCK TRACTOR	
Wheelbase	Max 6.2
Tandem Axle Spread	Min 1.0 Max 1.85
SEMI TRAILER	
Wheelbase	Min 6.25
Kingpin Setback	Max 2.0 m radius
Tandem Axle Group Spread	Min 1.0 Max 1.85
Track Width	Min 2.5 Max 2.6
Hitch Offset	Max 1.8
C-Dolly Drawbar Length	Max 2.0
INTERAXEL SPACINGS	
Single Axle to Single, Tandem or Tridem Axle	Min 3.0
Tandem Axle to Tandem Axle	Min 5.0
Dimension "A"	Not Controlled



MAXIMUM AXLE WEIGHT LIMITS (kg)				
	Primary		Secondary and Municipal	
		Winter Weight		Winter Weight
<b>Steering Axle</b>	6,000	6,000	6,000	6,000
<b>Drive Axle</b>				
Single Axle	9,100	10,000	8,200	10,000
Tandem Axle	17,000	18,000	14,500	18,000
<b>Semi Trailer Axle Group<sup>2</sup></b>				
Single Axle	9,100	10,000	8,200	10,000
Tandem Axle	17,000	18,000	14,500	18,000

<sup>1</sup> The maximum allowable weight on a full trailer is restricted.

<sup>2</sup> The weight of the second trailer must not exceed the weight of the tractor drive axle(s) plus the weight of the axle(s) on the first semi-trailer.

GROSS VEHICLE WEIGHT LIMITS (kg)						
TRUCK	LEAD SEMI TRAILER	2nd SEMI TRAILER or Full trailer <sup>1,2</sup>	Primary		Secondary and Municipal	
				Winter Weight		Winter Weight
2 Axle Truck Tractor	Single Axle	2 single axles, 1 single axle and 1 tan. axle group	42,400	46,000	38,800	46,000
	Tandem Axle	2 single axles	50,300	54,000	45,100	54,000
	Tandem Axle	1 single axle and 1 tan. axle group	58,200	60,500	51,400	54,500
3 Axle Truck Tractor	Single Axle	2 single axles	50,300	53,000	45,100	53,000
	Single Axle	1 single axle and 1 tan. axle group	58,200	60,500	51,400	54,500
	Tandem Axle	2 single axles	58,200	60,500	51,400	54,500
	Tandem Axle	1 single axle and 1 tan. axle group	60,500	60,500	55,000	54,500

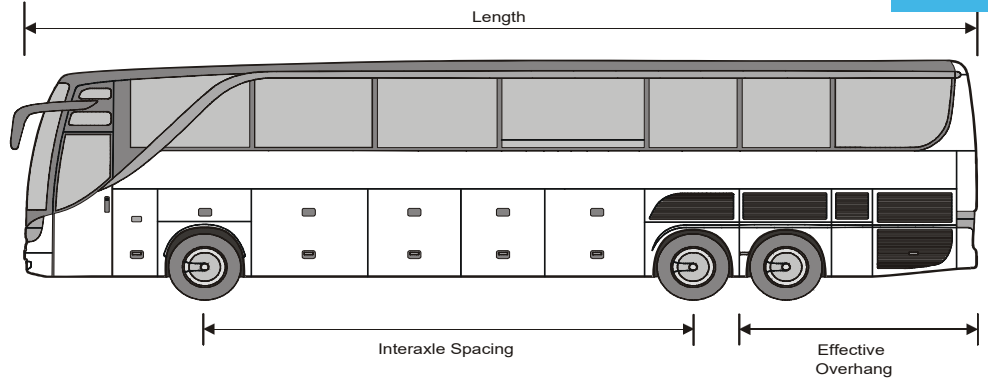
This guide is only a summary of The Vehicle Weight and Dimension Regulations Amendment 2010 and does not include all August, 2019

# Intercity Bus and Recreational Vehicles

## Configuration 11

(Applies to all buses and recreational vehicles.)

DIMENSION LIMITS (m)	
DIMENSION	LIMIT
Overall Length	Max 14.0
Width	Max 2.6
Height	Max 4.15
TRUCK	
Wheelbase	Not Controlled
Tandem Axle Spread	Min 1.2 Max 1.85
Effective Overhang	Max 4.0
AXLE REQUIREMENTS	
Overall Length ≤ 12.5 m	Not Controlled
Overall Length > 12.5 m	Min. 3 axles



MAXIMUM WEIGHT LIMITS (kg)	
<b>Steering Axle</b>	7,300
<b>Drive Axle:</b>	
Single Axle (single tires)	6,000
Single Axle (dual tires)	9,100
Single Half Axle Unit <sup>1</sup>	15,100
Tandem Axle Group	17,000
<b>Gross Vehicle Weight</b>	
Single Axle (single tires)	13,300
Single Axle (dual tires)	16,400
Single Half Axle Unit <sup>1</sup>	22,400
Tandem Axle Group (both with dual tires)	24,300

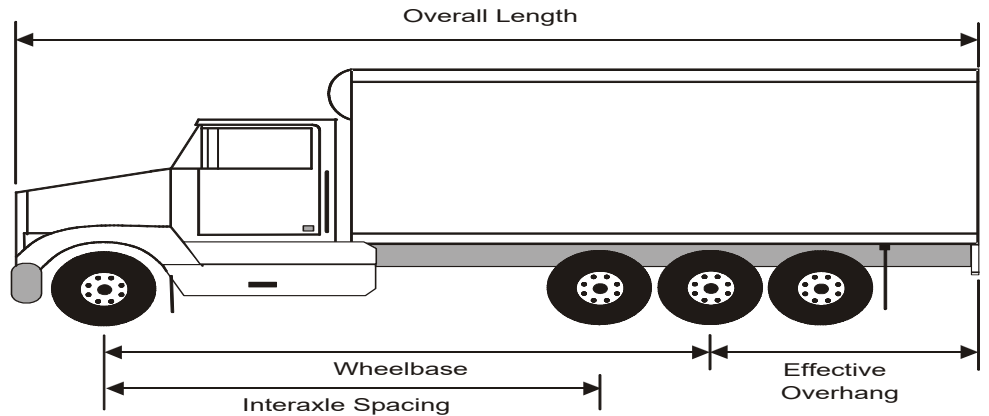
This guide is only a summary of The Vehicle Weight and Dimension Regulations Amendment 2010 and does not include all details.  
August, 2019

# Tridem Drive Straight Truck

## Configuration 12

(The information contained in this schedule applies to all trucks equipped with a single steering axle and a tridem drive axle group.)

DIMENSION LIMITS (m)	
DIMENSION	LIMIT
Overall Length	Max 12.5
Width	Max 2.6
Height	Max 4.15
Wheelbase	Min 6.6
Tridem Axle Spread <sup>1</sup>	Min 2.4
Track Width	Max 2.8
Effective Overhang	Max 2.6
INTERAXEL SPACINGS	
Single Axle to Tridem Axle	Min 3.0



MAXIMUM WEIGHT LIMITS (kg)				
	Primary		Secondary and Municipal	
		Winter Weight		Winter Weight
<b>Steering Axle</b>	Min 27% of drive axles at all times to a max 7,300 kg	Min 27% of drive axles at all times to a max 7,300 kg	Min 27% of drive axles at all times to a max 7,300 kg	Min 27% of drive axles at all times to a max 7,300 kg
<b>Tridem Drive Axle Group</b>				
Axle Spread 2.4 - <2.7m	21,000	21,000	20,000	21,000
Axle Spread 2.7 - 2.8m	22,000	22,000	20,000	21,000
<b>Gross Vehicle Weight</b>				
Axle Spread 2.4 - <2.7m	28,300	28,300	27,300	28,300
Axle Spread 2.7 - 2.8m	29,300	29,300	27,300	28,300

<sup>1</sup> All three axles in tridem group must drive (no pusher, tag or lift axles allowed). Drive axle locking devices must be unlocked while operating on a public highway. Tridem drive trucks are not allowed to tow a full trailer.

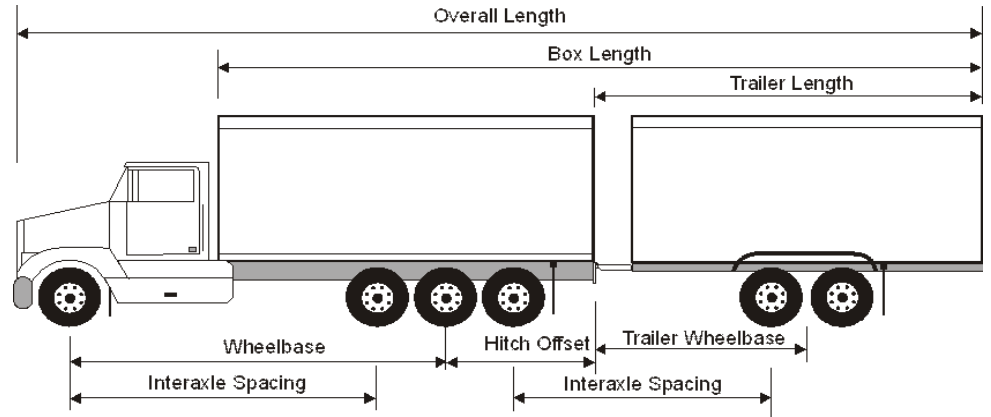
This guide is only a summary of The Vehicle Weight and Dimension Regulations Amendment 2010 and does not include all details. August, 2019

# Tridem Drive Straight Truck-Pony Trailer Combination

## Configuration 13

(The information contained in this schedule applies to all trucks equipped with a single steering axle and a tridem drive axle group in combination with a pony trailer.)

DIMENSION LIMITS (m)	
DIMENSION	LIMIT
Overall Length	Max 23.0
Width	Max 2.6
Height	Max 4.15
Box Length	Max 20.5
<b>TRUCK</b>	
Wheelbase	Min 6.6
Tridem Axle Spread <sup>1</sup>	Min 2.4 Max 2.8
Track Width	Min 2.5 Max 2.6
Hitch Offset	Max 2.6
Effective Overhang	Max 4.0
<b>PONY TRAILER<sup>2</sup></b>	
Length	Max 12.5
Wheelbase	Min 6.25
Tandem Axle Spread	Min 1.0 Max 1.85
Tridem Axle Spread	Min 2.4 Max 2.5
Track Width	Min 2.5 Max 2.6
Effective Overhang <sup>3</sup>	Max 4.0
<b>INTERAXEL SPACINGS</b>	
Single Axle to Tridem Axle	Min 3.0
Tandem Axle to Tridem Axle	Min 5.5
Tridem Axle to Tridem Axle	Min 6.0



MAXIMUM WEIGHT LIMITS (kg)		
	Primary	Secondary and Municipal
<b>Steering Axle</b>	Min 27% of drive axles at all times to a max 7,300 kg	Min 27% of drive axles at all times to a max 7,300 kg
<b>Tridem Drive Axle Group</b>		
Axle Spread 2.4 - <2.7m	21,000	20,000
Axle Spread 2.7 - 2.8m	22,000	20,000
<b>Pony Trailer</b>		
Single Axle with Wheelbase 6.25 to 7.50 m	7,200	7,200
Single Axle with Wheelbase > 7.50 m	7,700	7,700
Tandem Axle with Wheelbase 6.25 to 7.50 m	11,000	11,000
Tandem Axle with Wheelbase > 7.50 m	12,000	12,000
Tridem Axle with Wheelbase 6.25 to 7.50 m	15,000	15,000
Tridem Axle with Wheelbase > 7.50 m	16,500	16,500
<b>Gross Vehicle Weight</b>		
<b>Truck Axle Group Spread 2.4 to &lt;2.7 m</b>		
Pony Trailer with a Single Axle and a Wheelbase of 6.25 to 7.50 m	35,500	34,500
Pony Trailer with a Single Axle and a Wheelbase > 7.50 m	36,000	35,000
Pony Trailer with a Tandem Axle and a Wheelbase of 6.25 to 7.50 m	39,300	38,300
Pony Trailer with a Tandem Axle and a Wheelbase > 7.50 m	40,300	39,300
Pony Trailer with a Tridem Axle and a Wheelbase of 6.25 to 7.50 m	43,300	42,300
Pony Trailer with a Tridem Axle and a Wheelbase > 7.50 m	44,800	43,800
<b>Truck Axle Group Spread 2.7 to 2.8 m</b>		
Pony Trailer with a Single Axle and a Wheelbase of 6.25 to 7.50 m	36,000	34,500
Pony Trailer with a Single Axle and a Wheelbase > 7.50 m	37,000	35,000
Pony Trailer with a Tandem Axle and a Wheelbase of 6.25 to 7.50 m	40,300	38,300
Pony Trailer with a Tandem Axle and a Wheelbase > 7.50 m	41,300	39,300
Pony Trailer with a Tridem Axle and a Wheelbase of 6.25 to 7.50 m	44,300	42,300
Pony Trailer with a Tridem Axle and a Wheelbase > 7.50 m	45,800	43,800

<sup>1</sup> All three axles in tridem group must drive (no pusher, tag or lift axles allowed). Drive axle locking devices must be unlocked while operating on a public highway.

<sup>2</sup> Dimension limits for pony trailers do not apply to a pony trailer with a Gross Vehicle Weight Rating of less than 10,000 kg.

<sup>3</sup> The maximum effective overhang of 4.0 m applies to a pony trailer manufactured after June 30, 1988. For a pony trailer manufactured before July 1, 1988, the load is restricted to an effective overhang of 4.0 m or the rear of the trailer, whichever is greater.

This guide is only a summary of The Vehicle Weight and Dimension Regulations Amendment 2010 and does not include all details. August, 2019

# Tridem Drive Straight Truck-Pony Trailer Combination

## Configuration 13

(The information contained in this schedule applies to all trucks equipped with a single steering axle and a tridem drive axle group in combination with a pony trailer.)

MAXIMUM WINTER WEIGHT LIMITS (kg)		
	Primary and Secondary	Municipal
<b>Steering Axle</b>	Min 27% of drive axles	Min 27% of drive
<b>Tridem Drive Axle Group</b>		
Axle Spread 2.4 - <2.7m	21,000	21,000
Axle Spread 2.7 - 2.8m	22,000	21,000
<b>Pony Trailer</b>		
Single Axle with Wheelbase 6.25 to 7.50 m	7,200	7,200
Single Axle with Wheelbase > 7.50 m	7,700	7,700
Tandem Axle with Wheelbase 6.25 to 7.50 m	11,000	11,000
Tandem Axle with Wheelbase > 7.50 m	12,000	12,000
Tridem Axle with Wheelbase 6.25 to 7.50 m	15,000	15,000
Tridem Axle with Wheelbase > 7.50 m	16,500	16,500
<b>Gross Vehicle Weight</b>		
<b>Truck Axle Group Spread 2.4 to &lt;2.7 m</b>		
Pony Trailer with a Single Axle and a Wheelbase of 6.25 to 7.50 m	35,500	35,500
Pony Trailer with a Single Axle and a Wheelbase > 7.50 m	36,000	36,000
Pony Trailer with a Tandem Axle and a Wheelbase of 6.25 to 7.50 m	39,300	39,300
Pony Trailer with a Tandem Axle and a Wheelbase > 7.50 m	40,300	40,300
Pony Trailer with a Tridem Axle and a Wheelbase of 6.25 to 7.50 m	43,300	43,300
Pony Trailer with a Tridem Axle and a Wheelbase > 7.50 m	44,800	44,800
<b>Truck Axle Group Spread 2.7 to 2.8 m</b>		
Pony Trailer with a Single Axle and a Wheelbase of 6.25 to 7.50 m	36,000	35,500
Pony Trailer with a Single Axle and a Wheelbase > 7.50 m	37,000	35,000
Pony Trailer with a Tandem Axle and a Wheelbase of 6.25 to 7.50 m	40,300	38,300
Pony Trailer with a Tandem Axle and a Wheelbase > 7.50 m	41,300	39,300
Pony Trailer with a Tridem Axle and a Wheelbase of 6.25 to 7.50 m	44,300	42,300
Pony Trailer with a Tridem Axle and a Wheelbase > 7.50 m	45,800	43,800

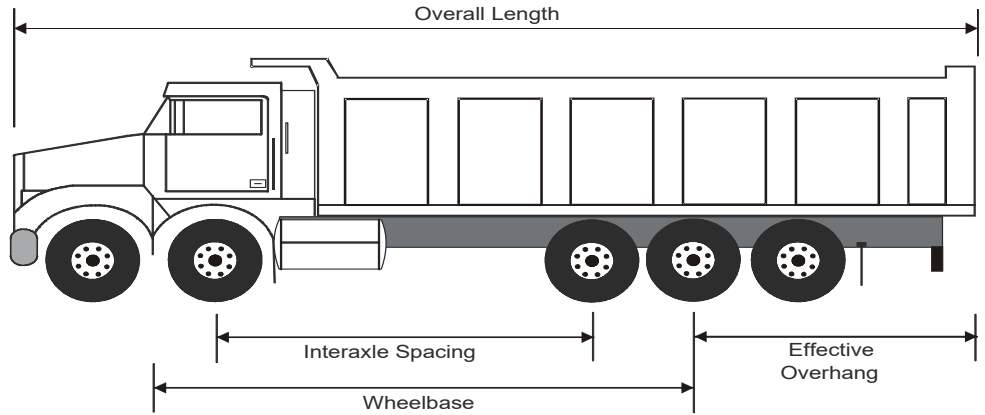
This guide is only a summary of The Vehicle Weight and Dimension Regulations Amendment 2010 and does not August, 2019

# Tandem Steer Tridem Drive Straight Truck

## Configuration 14

(Applies to all trucks equipped with a tandem steering axle and a tridem drive axle group.)

DIMENSION LIMITS (m)	
DIMENSION	LIMIT
Overall Length	Max 14.0
Width	Max 2.6
Height	Max 4.15
TRUCK	
Wheelbase <sup>1</sup>	Min 7.7
Tandem Steer Spread	Min 1.0 Max 1.85
Tridem Drive Spread <sup>2</sup>	Min 2.4 Max 3.1
Track Width	Min 2.5 Max 2.6
Effective Overhang	Max 4.0



<sup>1</sup> Axle spreads and minimum wheelbase must conform to the following:

Tri. Drive Axle Spread	Wheelbase
2.4 - <2.8	Min 7.7
2.8 - <3.0	Min 7.8
3.0 - 3.1	Min 7.9

<sup>2</sup> All three axles in tridem drive axle group must drive (no pusher, tag or lift axles allowed). Drive axle locking devices must be unlocked while operating on a highway.

Tridem drive trucks are not allowed to tow a full trailer.

	MAXIMUM WEIGHT LIMITS (kg)			
	Primary		Secondary and Municipal	
		Winter Weight		Winter Weight
<b>Steering Axle</b>	Min 40% of drive axles at all times to a maximum 13,600 kg	Min 40% of drive axles at all times to a maximum 13,600 kg	Min 40% of drive axles at all times to a maximum 11,000 kg	Min 40% of drive axles at all times to a maximum 11,000 kg
<b>Drive Axle</b>				
Axle Spread 2.4 - <2.7 m	21,000	21,000	20,000	21,000
Axle Spread 2.7 - <3.0 m	22,000	22,000	20,000	21,000
Axle Spread 3.0 - 3.1 m	23,000	23,000	20,000	23,000
<b>Gross Vehicle Weight</b>				
Axle Spread 2.4 - <2.7 m	34,600	34,600	31,000	32,000
Axle Spread 2.7 - <3.0 m	35,600	35,600	31,000	32,000
Axle Spread 3.0 - 3.1 m	36,600	36,600	31,000	34,000

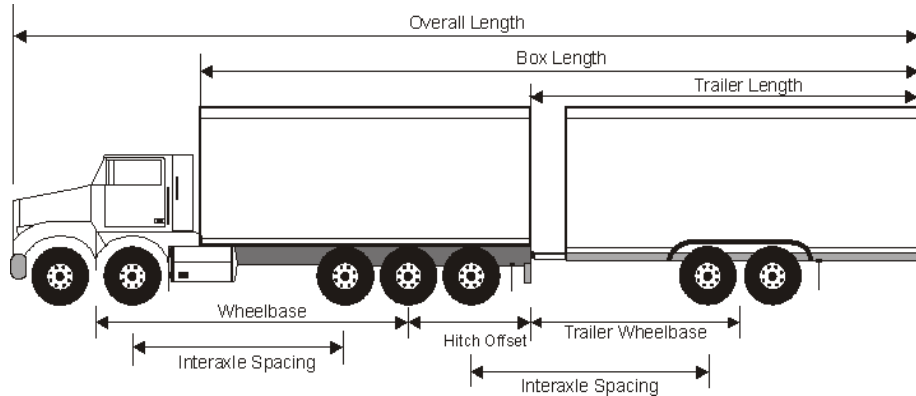
This guide is only a summary of The Vehicle Weight and Dimension Regulations Amendment 2010 and does not include all details. August, 2019

# Tandem Steer Tridem Drive Straight Truck-Pony Trailer Combination

## Configuration 15

(Applies to all trucks equipped with a tandem steering axle and a tridem drive axle group in combination with a pony trailer.)

DIMENSION LIMITS (m)	
DIMENSION	LIMIT
Overall Length	Max 23.0
Width	Max 2.6
Height	Max 4.15
Box Length	Max 21.0
TRUCK	
Wheelbase <sup>1</sup>	Min 7.7
Tandem Steer Axle Spread	Min 1.0
Spread	Max 1.85
Tridem Axle Spread <sup>2</sup>	Min 2.4
	Max 3.1
Track Width	Min 2.5
	Max 2.6
Hitch Offset	Max 2.6
Effective Overhang	Max 4.0
PONY TRAILER <sup>3</sup>	
Length	Max 12.5
Wheelbase	Min 6.25
Tandem Axle Spread	Min 1.0
	Max 1.85
Tridem Axle Spread	Min 2.4
	Max 2.5
Track Width	Min 2.5
	Max 2.6
Effective Overhang <sup>4</sup>	Max 4.0
INTERAXEL SPACINGS	
Single Axle to Tridem Axle	Min 3.0
Tandem Axle to Tridem Axle	Min 5.5
Tridem Axle to Tridem Axle	Min 6.0



MAXIMUM WEIGHT LIMITS (kg)		
	Primary	Secondary and Municipal
<b>Steering Axle</b>	Min 40% of drive axles at all times to a maximum 13,600 kg	Min 40% of drive axles at all times to a maximum 11,000 kg
<b>Tridem Drive Axle Group</b>		
Axle Spread 2.4 - <2.7 m	21,000	20,000
Axle Spread 2.7 - <3.0 m	22,000	20,000
Axle Spread 3.0 - 3.1 m	23,000	20,000
<b>Pony Trailer</b>		
Single Axle with Wheelbase 6.25 to 7.50 m	7,200	7,200
Single Axle with Wheelbase > 7.50 m	7,700	7,700
Tandem Axle with Wheelbase 6.25 to 7.50 m	11,000	11,000
Tandem Axle with Wheelbase > 7.50 m	12,000	12,000
Tridem Axle with Wheelbase 6.25 to 7.50 m	15,000	15,000
Tridem Axle with Wheelbase > 7.50 m	16,500	16,500
<b>Gross Vehicle Weight</b>		
<b>Truck Axle Group Spread 2.4 to &lt;2.7 m</b>		
Pony Trailer with a Single Axle and a Wheelbase of 6.25 to 7.50 m	41,800	38,200
Pony Trailer with a Single Axle and a Wheelbase > 7.50 m	42,300	38,700
Pony Trailer with a Tandem Axle and a Wheelbase of 6.25 to 7.50 m	45,600	42,000
Pony Trailer with a Tandem Axle and a Wheelbase > 7.50 m	46,600	43,000
Pony Trailer with a Tridem Axle and a Wheelbase of 6.25 to 7.50 m	49,600	46,000
Pony Trailer with a Tridem Axle and a Wheelbase > 7.50 m	51,100	47,500
<b>Truck Axle Group Spread 2.7 to &lt;3.0 m</b>		
Pony Trailer with a Single Axle and a Wheelbase of 6.25 to 7.50 m	42,800	38,200
Pony Trailer with a Single Axle and a Wheelbase > 7.50 m	43,300	38,700
Pony Trailer with a Tandem Axle and a Wheelbase of 6.25 to 7.50 m	46,600	42,000
Pony Trailer with a Tandem Axle and a Wheelbase > 7.50 m	47,600	43,000
Pony Trailer with a Tridem Axle and a Wheelbase of 6.25 to 7.50 m	50,600	46,000
Pony Trailer with a Tridem Axle and a Wheelbase > 7.50 m	52,100	47,500

<sup>1</sup> Axle spreads and minimum wheelbase must conform to the following:

Tri. Drive Axle Spread	Wheelbase
2.4 - <2.8	Min 7.7
2.8 - <3.0	Min 7.8
3.0 - 3.1	Min 7.9

<sup>2</sup> All three axles in tridem group must drive (no pusher, tag or lift axles allowed). Drive axle locking devices must be unlocked while operating on a public highway.

<sup>3</sup> Dimension limits for pony trailers do not apply to a pony trailer with a Gross Vehicle Weight Rating of less than 10,000 kg.

<sup>4</sup> The maximum effective overhang of 4.0 m applies to a pony trailer manufactured after June 30, 1988. For a pony trailer manufactured before July 1, 1988, the load is restricted to an effective overhang of 4.0 m or the rear of the trailer, whichever is greater.

This guide is only a summary of The Vehicle Weight and Dimension Regulations Amendment 2010 and does not include all details. August, 2019

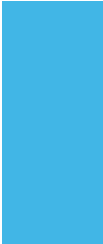
# Tandem Steer Tridem Drive Straight Truck-Pony Trailer Combination

## Configuration 15

(Applies to all trucks equipped with a tandem steering axle and a tridem drive axle group in combination with a pony trailer.)

MAXIMUM WINTER WEIGHT LIMITS (kg) Continued		
	Primary and Secondary	Municipal
<b>Gross Vehicle Weight</b>		
<i>Truck Axle Group Spread 3.0 to 3.1 m</i>		
Pony Trailer with a Single Axle and a Wheelbase of 6.25 to 7.50 m	43,800	38,200
Pony Trailer with a Single Axle and a Wheelbase > 7.50 m	44,300	38,700
Pony Trailer with a Tandem Axle and a Wheelbase of 6.25 to 7.50 m	47,600	42,000
Pony Trailer with a Tandem Axle and a Wheelbase > 7.50 m	48,600	43,000
Pony Trailer with a Tridem Axle and a Wheelbase of 6.25 to 7.50 m	51,600	46,000
Pony Trailer with a Tridem Axle and a Wheelbase > 7.50 m	53,100	47,500
<b>MAXIMUM WINTER WEIGHT LIMITS (kg)</b>		
	Primary and Secondary	Municipal
<b>Steering Axle</b>	Min 40% of drive axles at all times to a maximum 13,600 kg	Min 40% of drive axles at all times to a maximum 11,000 kg
<b>Tridem Drive Axle Group</b>		
Axle Spread 2.4 - <2.7 m	21,000	21,000
Axle Spread 2.7 - <3.0 m	22,000	21,000
Axle Spread 3.0 - 3.1 m	23,000	23,000
<b>Pony Trailer</b>		
Single Axle with Wheelbase 6.25 to 7.50 m	7,200	7,200
Single Axle with Wheelbase > 7.50 m	7,700	7,700
Tandem Axle with Wheelbase 6.25 to 7.50 m	11,000	11,000
Tandem Axle with Wheelbase > 7.50 m	12,000	12,000
Tridem Axle with Wheelbase 6.25 to 7.50 m	15,000	15,000
Tridem Axle with Wheelbase > 7.50 m	16,500	16,500
<b>Gross Vehicle Weight</b>		
<i>Truck Axle Group Spread 2.4 to &lt;2.7 m</i>		
Pony Trailer with a Single Axle & a Wheelbase of 6.25 ~ 7.50 m	41,800	39,200
Pony Trailer with a Single Axle and a Wheelbase > 7.50 m	42,300	39,700
Pony Trailer with a Tandem Axle & a Wheelbase of 6.25 ~ 7.50 m	45,600	43,000
Pony Trailer with a Tandem Axle and a Wheelbase > 7.50 m	46,600	44,000
Pony Trailer with a Tridem Axle & a Wheelbase of 6.25 ~ 7.50 m	49,600	47,000
Pony Trailer with a Tridem Axle and a Wheelbase > 7.50 m	51,100	48,500
<i>Truck Axle Group Spread 2.7 to &lt;3.0 m</i>		
Pony Trailer with a Single Axle & a Wheelbase of 6.25 ~ 7.50 m	42,800	39,200
Pony Trailer with a Single Axle & a Wheelbase > 7.50 m	43,300	39,700
Pony Trailer with a Tandem Axle & a Wheelbase of 6.25 ~ 7.50 m	46,600	43,000
Pony Trailer with a Tandem Axle and a Wheelbase > 7.50 m	47,600	44,000
Pony Trailer with a Tridem Axle & a Wheelbase of 6.25 ~ 7.50 m	50,600	47,000
Pony Trailer with a Tridem Axle and a Wheelbase > 7.50 m	52,100	48,500
<i>Truck Axle Group Spread 3.0 to 3.1 m</i>		
Pony Trailer with a Single Axle and a Wheelbase of 6.25 ~ 7.50 m	43,800	38,200
Pony Trailer with a Single Axle and a Wheelbase > 7.50 m	44,300	38,700
Pony Trailer with a Tandem Axle & a Wheelbase of 6.25 ~ 7.50 m	47,600	42,000
Pony Trailer with a Tandem Axle and a Wheelbase > 7.50 m	48,600	43,000
Pony Trailer with a Tridem Axle & a Wheelbase of 6.25 ~ 7.50 m	51,600	46,000
Pony Trailer with a Tridem Axle and a Wheelbase > 7.50 m	53,100	47,500

This guide is only a summary of The Vehicle Weight and Dimension Regulations Amendment 2010 and does not include all details. August, 2019

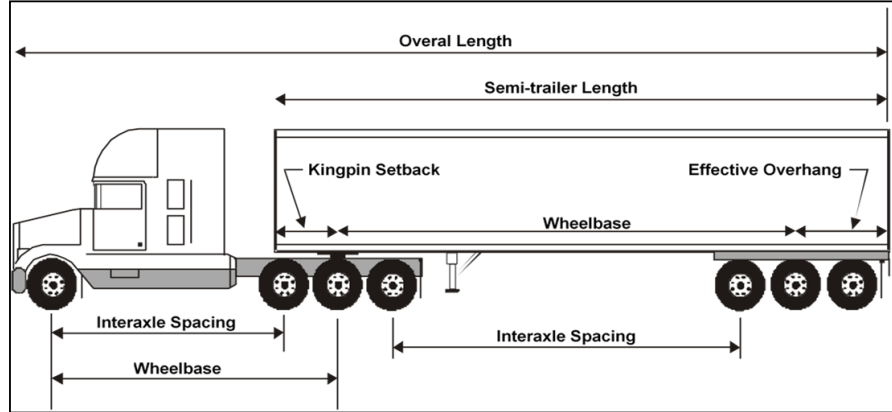


# Tandem Drive Truck Tractor Semi-trailer Combination

Configuration 16

(Applies to all truck tractors equipped with a tridem drive axle group in combination with a semi-trailer.)

DIMENSION LIMITS (m)	
DIMENSION	LIMIT
Overall Length	Max 23.5
Width	Max 2.6
Height	Max 4.15
Box Length	Max 16.2
TRUCK TRACTOR	
Wheelbase	Min 6.6 Max 6.8
Tridem Axle Spread <sup>1</sup>	Min 2.4 Max 2.8
Tridem Axle Track	Min 2.5
Width	Max 2.6
SEMI TRAILER	
Length	Max 16.2 Min 6.25
Wheelbase	Max 12.5
Kingpin Setback	Max 2.0 m Radius
Effective Overhang	Max 35% of wheelbase
Tandem Axle Group	Min 1.0
Spread	Max 1.85
Tridem Axle Group	Min 2.4
Spread	Max 3.7
Track Width	Min 2.5 Max 2.6
INTERAXEL SPACINGS	
Tridem Axle to Single Axle	Min 3.0
Tridem Axle to Tandem Axle	Min 5.5
Tridem Axle to Tridem Axle	Min 6.0



MAXIMUM WEIGHT LIMITS (kg)				
	Primary		Secondary and Municipal	
		Winter Weight		Winter Weight
<b>Steering Axle</b>	Min 27% of drive axles at all times to a max 7,300 kg	Min 27% of drive axles at all times to a max 7,300 kg	Min 27% of drive axles at all times to a max 7,300 kg	Min 27% of drive axles at all times to a max 7,300 kg
<b>Tridem Drive Axle</b>				
Spread 2.4 - <2.7 m	21,000	21,000	20,000	21,000
Spread 2.7 - 2.8 m	22,000	22,000	20,000	21,000
<b>Semi Trailer Axle Group</b>				
Single Axle	9,100	10,000	8,200	10,000
Tandem Axle	17,000	18,000	14,500	18,000
<b>Tri. Axle Group:</b>				
Spread 2.4m-3.0m	21,000	21,000	20,000	21,000
Spread >3.0m-3.6m	23,000	23,000	20,000	23,000
Spread >3.0m-3.6m <sup>2</sup>	24,000	24,000		
Spread >3.6m-3.7m	24,000	24,000	20,000	24,000
<b>Gross Vehicle Weight</b>				
<i>Truck Tractor with an axle spread of 2.4 m to &lt;2.7 m combined with a semi-trailer with a:</i>				
Single Axle	37,400	38,300	35,500	38,300
Tandem Axle	45,300	46,300	41,800	46,300
<b>Tridem Axle with:</b>				
Spread 2.4m-3.0m	49,300	49,300	47,300	49,300
Spread >3.0m-3.6m	51,300	51,300	47,300	51,300
Spread >3.0m-3.6m <sup>2</sup>	52,300	52,300		
Spread >3.6m-3.7m	52,300	52,300	47,300	52,300
<i>Truck Tractor with an axle spread of 2.7 m to 2.8 m combined with a semi-trailer with a:</i>				
Single Axle	38,400	39,300	35,500	38,300
Tandem Axle	46,300	47,300	41,800	46,300
<b>Tridem Axle with:</b>				
Spread 2.4m-3.0m	50,300	50,300	47,300	49,300
Spread >3.0m-3.6m	52,300	51,300	47,300	51,300
Spread >3.0m-3.6m <sup>2</sup>	53,300	53,300		
Spread >3.6m-3.7m	53,300	53,300	47,300	52,300

<sup>1</sup> All three axles in tridem group must drive (no pusher, tag or lift axles allowed). Drive axle locking devices must be unlocked while operating on a public highway.

<sup>2</sup> Applies on provincial highways or portions of provincial highways listed in Appendix E of *The Vehicle Weight and Dimension Regulations, 2010*.

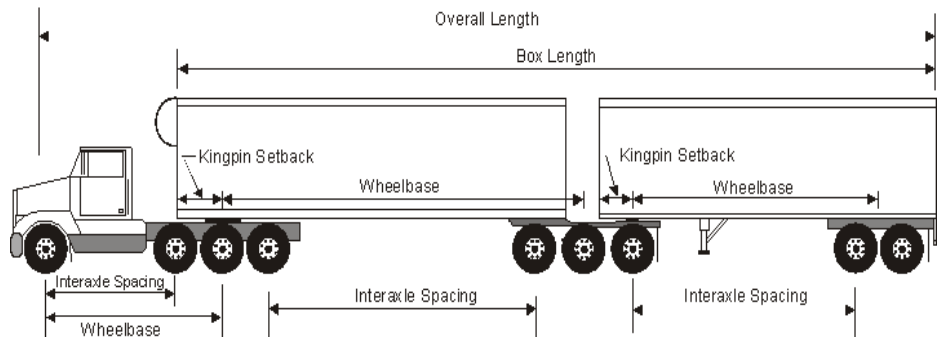
This guide is only a summary of The Vehicle Weight and Dimension Regulations Amendment 2010 and does not include all details. August, 2019

# Tridem Drive Truck Tractor B-Train Combination

## Configuration 17

(Applies to all truck tractors equipped with a tridem drive axle group in combination with a semi-trailer towing another semi-trailer attached to a fifth wheel mounted on the rear of the first trailer.)

Overall Length <sup>1</sup>	Max 27.5
Width	Max 2.6
Height	Max 4.15
Box Length	Max 20.0
<b>TRUCK TRACTOR</b>	
Wheelbase	Min 6.6 Max 6.8
Tandem Axle	Min 1.0
Spread	Max 1.85
Tridem Axle	Min 2.4
Spread <sup>2</sup>	Max 2.8
Tridem Axle Track	Min 2.5
Width	Max 2.6
<b>LEAD SEMI TRAILER</b>	
Wheelbase	Min 6.25
Kingpin Setback	Max 2.0 m radius
Fifth Wheel Position	No more than 0.3 m behind rearmost axle
Tandem Axle Group	Min 1.0
Spread	Max 1.85
Tridem Axle Group	Min 2.4
Spread	Max 3.1
Track Width	Min 2.5
<b>SECOND SEMI TRAILER</b>	
Wheelbase	Min 6.25
Kingpin Setback	Max 2.0 m radius
Tandem Axle Group	Min 1.0
Spread	Max 1.85
Tridem Axle Group	Min 2.4
Spread	Max 3.1
Track Width	Min 2.5
Sum of Semi-Trailer Wheelbases <sup>3</sup>	Max 17.0
<b>INTERAXEL SPACINGS</b>	
Single Axle to Single, Tandem or Tridem Axle	Min 3.0
Tandem Axle to Tandem Axle	Min 5.0
Tandem Axle to Tridem Axle	Min 5.5
Tridem Axle to Tridem Axle	Min 6.0



MAXIMUM AXLE WEIGHT LIMITS (kg)				
	Primary		Secondary and Municipal	
		Winter Weight		Winter Weight
<b>Steering Axle</b>	Min 27% of drive axles at all times to a max 7,300 kg	Min 27% of drive axles at all times to a max 7,300 kg	Min 27% of drive axles at all times to a max 7,300 kg	Min 27% of drive axles at all times to a max 7,300 kg
<b>Tridem Drive Axle</b>				
Spread 2.4 - <2.7 m	21,000	21,000	20,000	21,000
Spread 2.7 - 2.8 m	22,000	22,000	20,000	21,000
<b>Semi Trailer Axle Group<sup>2</sup></b>				
Single Axle	9,100	10,000	8,200	10,000
Tandem Axle	17,000	18,000	14,500	18,000
<b>Tridem Axle:</b>				
Spread 2.4 - <3.0 m	21,000	21,000	20,000	21,000
Spread 3.0 - 3.1 m <sup>4</sup>	23,000	23,000	20,000	23,000
Spread 3.0 - 3.1 m <sup>5</sup>	24,000	24,000		

<sup>1</sup>The overall length is inclusive of the heavy duty bumper or device designed to reduce the impact of wildlife collisions that is mounted on the front of the truck tractor.

<sup>2</sup> All three axles in tridem group must drive (no pusher, tag or lift axles allowed). Drive axle locking devices must be unlocked while operating on a public highway.

<sup>3</sup> The maximum spread on a tridem axle group on a semi-trailer for in a B-train combination is 3.1 m

<sup>4</sup> The sum of semi-trailer wheelbases limit only applies if both semi-trailers were manufactured after December 31, 1991.

<sup>5</sup> The maximum allowable weight on a tridem axle group on a B-train is 24,000 kg on provincial highways or portions of provincial highways listed in Appendix E of *The Vehicle Weight and Dimension Regulations, 2010*.

This guide is only a summary of The Vehicle Weight and Dimension Regulations Amendment 2010 and does not include all details. August, 2019

# Tridem Drive Truck Tractor B-Train Combination

## Configuration 17

(Applies to all truck tractors equipped with a tridem drive axle group in combination with a semi-trailer towing another semi-trailer attached to a fifth wheel mounted on the rear of the first trailer.)

Lead Semi Trailer	2 <sup>nd</sup> Semi Trailer		Winter		Secondary Winter	Municipal Winter
<b>Tractor axle spread 2.4 ~ 2.7 m</b>						
Tandem Axle Group	Tandem Axle Group	62,300	62,500	56,300	62,500	61,800
Tandem Axle Group	Tridem Axle Group Spread 2.4 m - 3.1 m	62,500	62,500	61,800	62,500	61,800
Tridem Axle Group Spread 2.4 m - <3.0	Single Axle Group	58,400	59,300	55,500	59,300	59,300
Tridem Axle Group Spread 3.0 m - 3.1	Single Axle Group	60,400	61,300	55,500	61,300	61,300
Tridem Axle Group Spread 2.4 m - 3.1	Tandem Axle Group	62,500	62,500	61,800	62,500	61,800
Tridem Axle Group Spread 2.4 m - 3.1	Tridem Axle Group Spread 2.4 m - 3.1 m	62,500	62,500	61,800	62,500	61,800
Tridem Axle Group Spread 3.0 m - 3.1	Tridem Axle Group Spread 3.0 m - 3.1 m <sup>5</sup>	63,500	63,500		63,500	
<b>Tractor axle spread 2.7 ~ 2.8 m</b>						
Tandem Axle Group	Tandem Axle Group	62,500	62,500	56,300	62,500	61,800
Tandem Axle Group	Tridem Axle Group Spread 2.4 m - 3.1 m	62,500	62,500	61,800	62,500	61,800
Tridem Axle Group Spread 2.4 m - <3.0	Single Axle Group	59,400	60,300	55,500	60,300	60,300
Tridem Axle Group Spread 3.0 m - 3.1	Single Axle Group	61,400	62,300	55,500	62,300	61,800
Tridem Axle Group Spread 2.4 m - 3.1	Tandem Axle Group	62,500	62,500	61,800	62,500	61,800
Tridem Axle Group Spread 2.4 m - 3.1	Tridem Axle Group Spread 2.4 m - 3.1 m	62,500	62,500	61,800	62,500	61,800
Tridem Axle Group Spread 3.0 m - 3.1	Tridem Axle Group Spread 3.0 m - 3.1 m <sup>5</sup>	63,500	63,500		63,500	

<sup>5</sup> Applies on provincial highways or portions of provincial highways listed in Appendix E of The Vehicle Weight and Dimension Regulations, 2010.

This guide is only a summary of The Vehicle Weight and Dimension Regulations Amendment 2010 and does not include all details. August, 2019